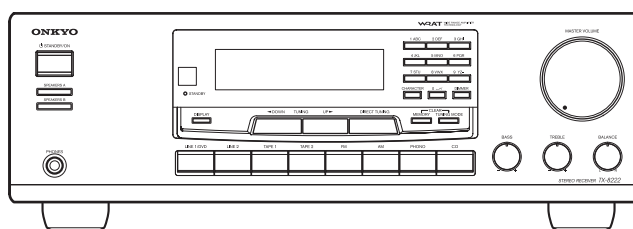
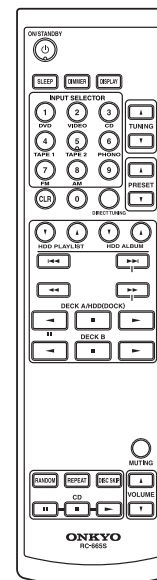


ONKYO SERVICE MANUAL

STEREO RECEIVER MODEL TX-8222



Black and Silver models



RC-666S

BMDD,BMDC	120V AC, 60Hz
BMPP,SMPP,BMPA	230-240V AC, 50Hz

SAFETY-RELATED COMPONENT WARNING!!

COMPONENTS IDENTIFIED BY MARK \triangle ON THE SCHEMATIC DIAGRAM AND IN THE PARTS LIST ARE CRITICAL FOR RISK OF FIRE AND ELECTRIC SHOCK. REPLACE THESE COMPONENTS WITH ONKYO PARTS WHOSE PART NUMBERS APPEAR AS SHOWN IN THIS MANUAL.

MAKE LEAKAGE-CURRENT OR RESISTANCE MEASUREMENTS TO DETERMINE THAT EXPOSED PARTS ARE ACCEPTABLY INSULATED FROM THE SUPPLY CIRCUIT BEFORE RETURNING THE APPLIANCE TO THE CUSTOMER.

SPECIFICATIONS

Amplifier Section

Rated Output Power (FTC) (North American)	
All channels:	50 watts minimum continuous power per channel, 8 ohm loads, 2 channels driven from 20 Hz to 20 kHz, with a maximum total harmonic distortion of 0.08 %
Rated Output Power (IEC) (European and Australian)	2 ch × 70W at 4 ohms, 1 kHz, 2 ch driven
Maximum Output Power (JEITA) (Asian)	90W at 4 ohms, 1 kHz, 2 ch driven
Dynamic Power	
North American:	135W + 135W (2 Ω) 105W + 105W (4 Ω) 70W + 70W (8 Ω)
European and Australian:	110W + 110W (2 Ω) 90W + 90W (4 Ω) 55W + 55W (8 Ω)
THD (Total Harmonic Distortion)	0.08 % (Power Rated)/ 0.08 % (1 kHz, 1 W)
Damping Factor	60 (Front, 1 kHz, 8 Ω)
Input Sensitivity and Impedance	150 mV/ 50 kΩ(LINE) 2.5 mV/ 50 kΩ(PHONO MM)
Output Level and Impedance	150 mV/ 2.2 kΩ(REC OUT)
Frequency Response	10 Hz~100 kHz/ +1 dB~ 3 dB (CD)
Tone Control	±10 dB, 100 Hz (BASS) ±10 dB, 10 kHz (TREBLE)
Signal to Noise Ratio	100 dB (LINE, IHF-A) 80 dB (PHONO, IHF-A)
Speaker Impedance	4 Ω ~16 Ω

Tuner Section

■ FM

Tuning Frequency Range	North American: 87.5 MHz~107.9 MHz Others: 87.5 MHz- 108.0 MHz
Usable Sensitivity	Stereo: 22.2 dBf (75 Ω IHF) Mono: 15.2 dBf (75 Ω IHF)
Signal to Noise Ratio	Stereo: 67 dB (IHF-A) Mono: 73 dB (IHF-A)
THD	Stereo: 0.5 % (1 kHz) Mono: 0.3 % (1 kHz)
Frequency Response	30 Hz~ 15 kHz / ±1 dB
Stereo Separation	40 dB (1 kHz)

■ AM

Tuning Frequency Range	North American: 530 kHz~1710 kHz Others: 522 kHz~ 1611 kHz
Usable Sensitivity	300 μV
Signal to Noise Ratio	40 dB
THD	0.7 %

General

Power Supply	North American: AC 120V, 60 Hz European: AC 230-240V, 50 Hz Others: AC 230-240V, 50Hz
Power Consumption	North American: 2.1A European: 180W Others: 180W
Standby Power Consumption	North American: 0.2W Others: 0.3W
Dimensions (W × H × D)	435 × 150 × 332 mm 17-1/8" × 5-7/8" × 13-11/16"
Weight	7.5 kg 16.5 lbs.
■ Audio Inputs	
Analog Inputs	PHONO, CD, TAPE 1, TAPE 2, LINE 1, LINE 2
■ Audio Outputs	
Analog Outputs	TAPE 1, TAPE 2
Speaker Outputs	SPEAKERS A SPEAKERS B
Phones	1
IR Input/Output	1/1

Specifications and features are subject to change without notice.

SERVICE PROCEDURES

1. Replacing the fuses



This symbol located near the fuses indicates that the fuse used is fast operating type. For continued protection against fire hazard, replace with same type fuse. For fuse rating refer to the marking adjacent to the symbol.



Ce symbole indique que le fusible utilise est a rapide. Pour une protection permanente, n'utiliser que fusibles de meme type. Ce dernier est la qu le present symbol est appse.

CIRCUIT NO.	PART NO.	DESCRIPTION
F901	252326GR or	5A-UL/T-233 or
	252258GR	5A-T/UL-ST2 <D>
F902	252075GR or	2.5A-SE-EAK or
	252275GR	2.5A-SE-TL250V <P/A>
F903	252326GR or	5A-UL/T-233 or
	252258GR	5A-T/UL-ST2 <D>
	252075GR or	2.5A-SE-EAK or
	252275GR	2.5A-SE-TL250V <P/A>

Note: <D>:North American model only
 <P>: European model only
 <A>: Australian model only

2. To initialize the unit

The TX-8222 contain a micro processor for signal processing and control functions. In very rare situations, severe interference, noise from an external source, or static electricity may cause it to lockup. In the unlikely event that this happens, unplug the power cord from the wall outlet, wait at least 5ve seconds, and then plug it back in again.

To reset the TX-8222 to its factory defaults, turn it on and, while holding down the VIDEO button, press the STANDBY/ON button. When the reset is complete, "Clear" appears on the display and the TX-8222 enter Standby mode.

3. Safety-check out

(U.S.A. model only)

After correcting the original service problem, perform the following safety check before releasing the set to the customer.

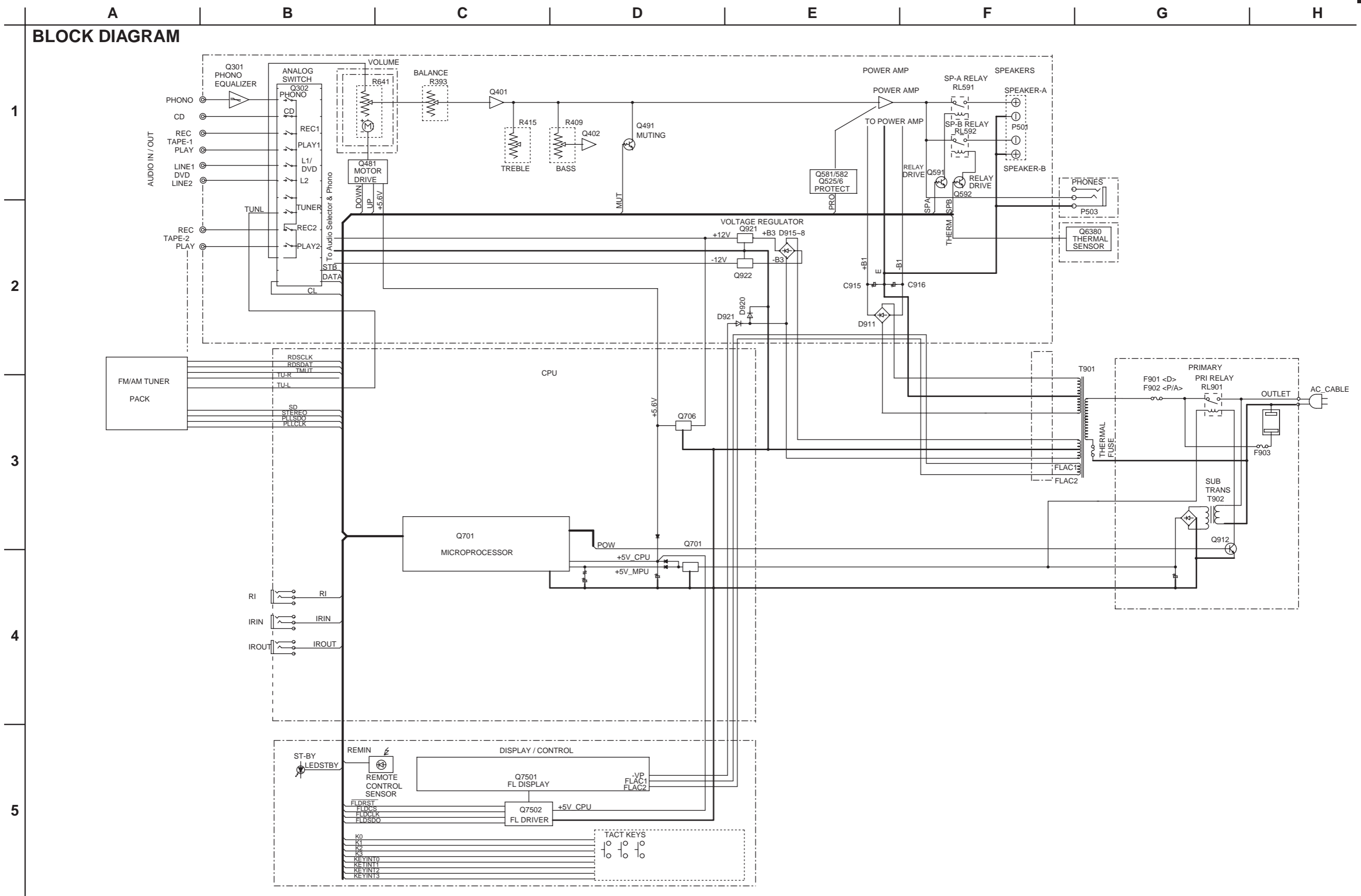
Leakage Current Check

Measure leakage current to a known earth ground(water pipe, conduit, etc.) by connecting a leakage current tester between the earth ground and exposed metal parts of the appliance (input/output terminals, screwheads,metal overlays, etc.). Plug the power supply cord directly into a 120V AC 60 Hz outlet and turn Standby switch on. Any current measured must not exceed 0.5mA.

4. Memory backup

The TX-8222 use a battery-less memory backup system (C704) in order to retain radio presets and other settings when it's unplugged or in the case of a power failure. Although no batteries are required, it must be plugged into an AC outlet in order to charge the backup system. Once it has been charged, the TX-8222 will retain the settings for several weeks, although this depends on the environment and will be shorter in humid climates.

BLOCK DIAGRAM



1

2

3

4

5

A

B

C

D

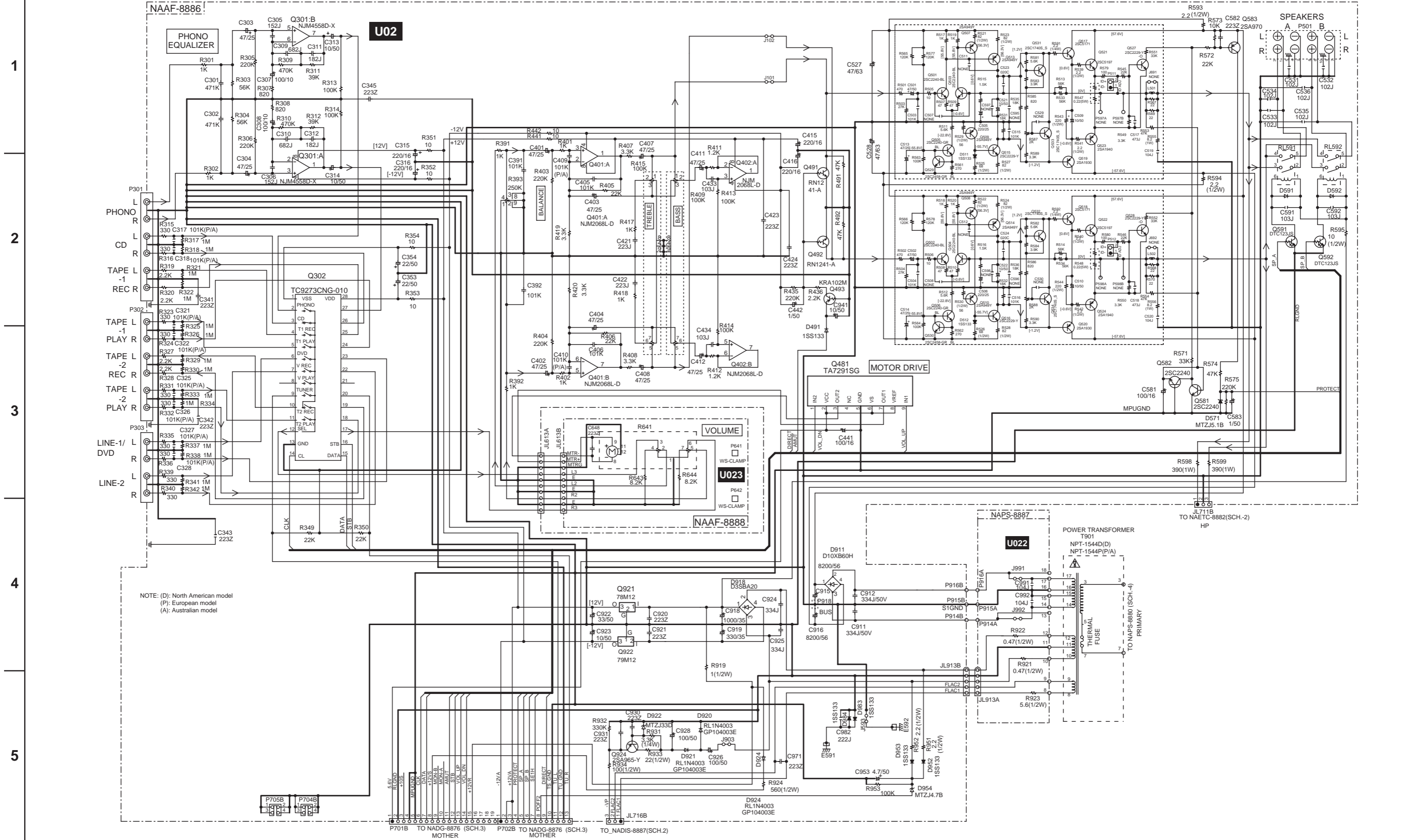
E

F

G

H

SCHEMATIC DIAGRAM 1 AUDIO SECTION

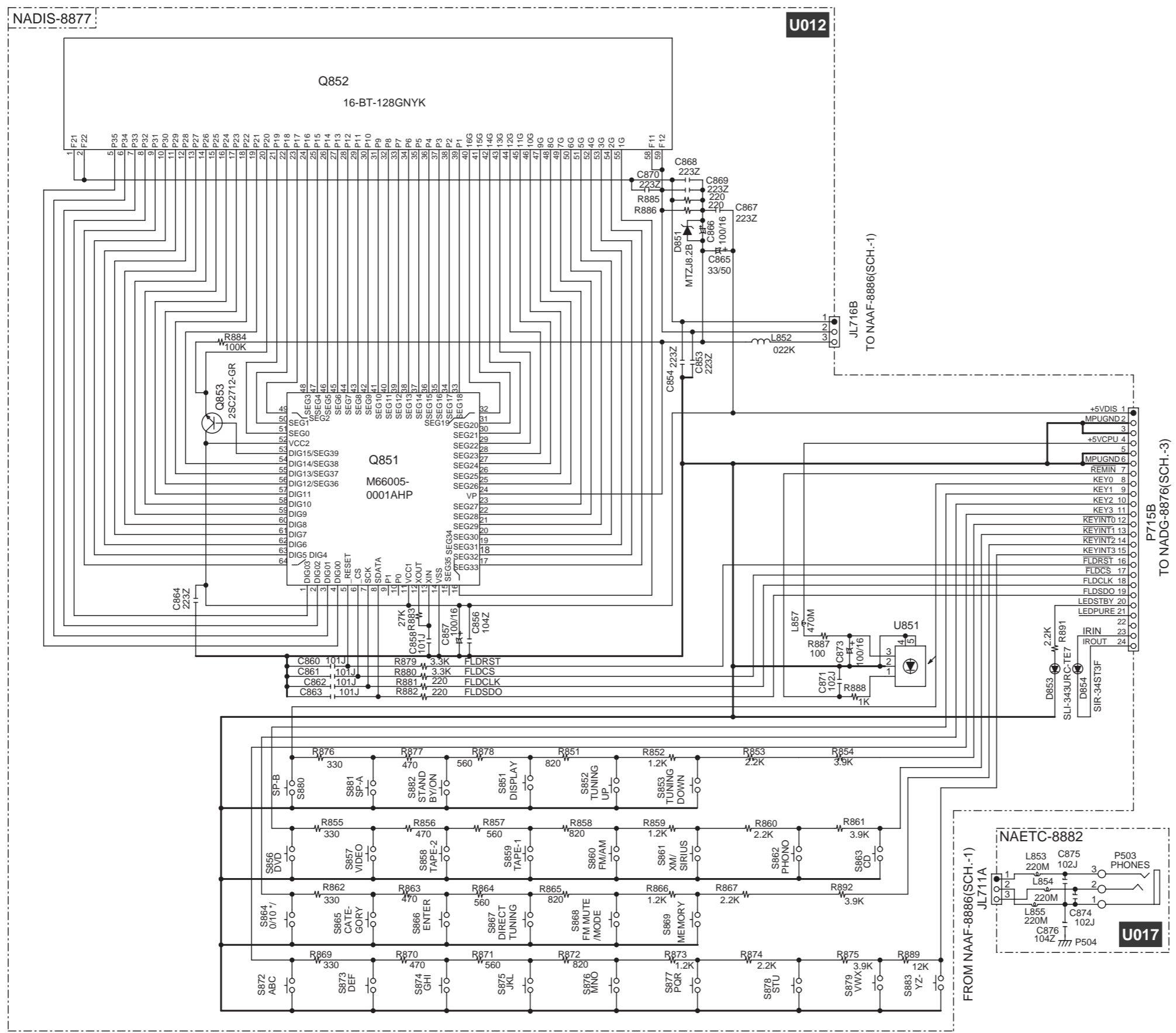


NOTE: (D): North American model
 (P): European model
 (A): Australian model

P701B TO NADG-8876 (SCH.3) MOTHER
 P702B TO NADG-8876 (SCH.3) MOTHER
 TO NADIS-8887(SCH.2)

SCHEMATIC DIAGRAM 2 DISPLAY SECTION

1
2
3
4
5



TO NAAF-8886(SCH.-1)

TO NADG-8876(SCH.-3)

FROM NAAF-8886(SCH.-1)

SCHEMATIC DIAGRAM 3 MICROPROCESSOR SECTION

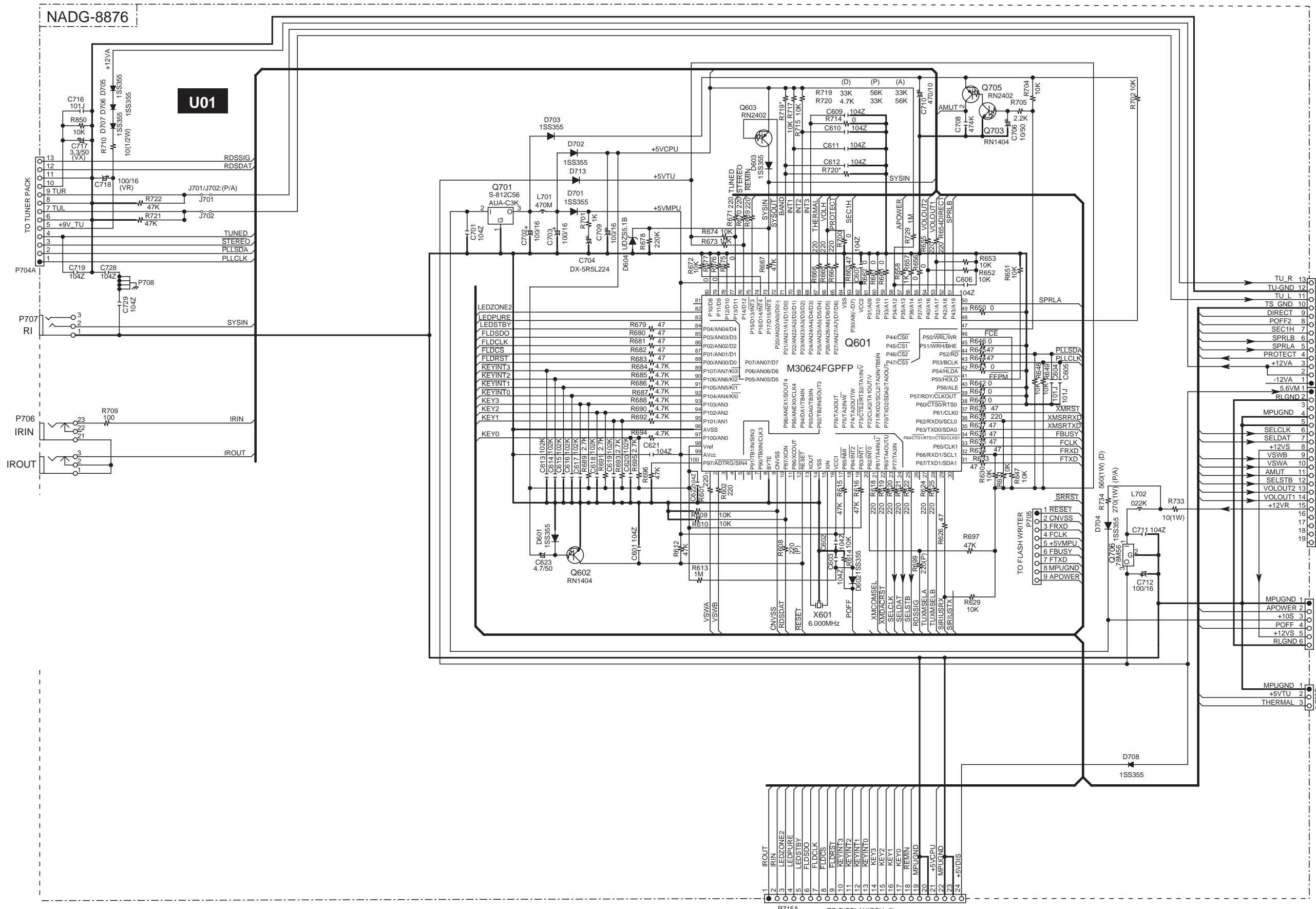
1

2

3

4

5



P715A TO DISPLAY(SCH-2)

TO NAAF-8886 (SCH-1)

TO NAFS-8880 (SCH-4)

JL703A JL705B JL706B

JL709A JL711B

**SCHEMATIC DIAGRAM 4
POWER SUPPLY SECTION**

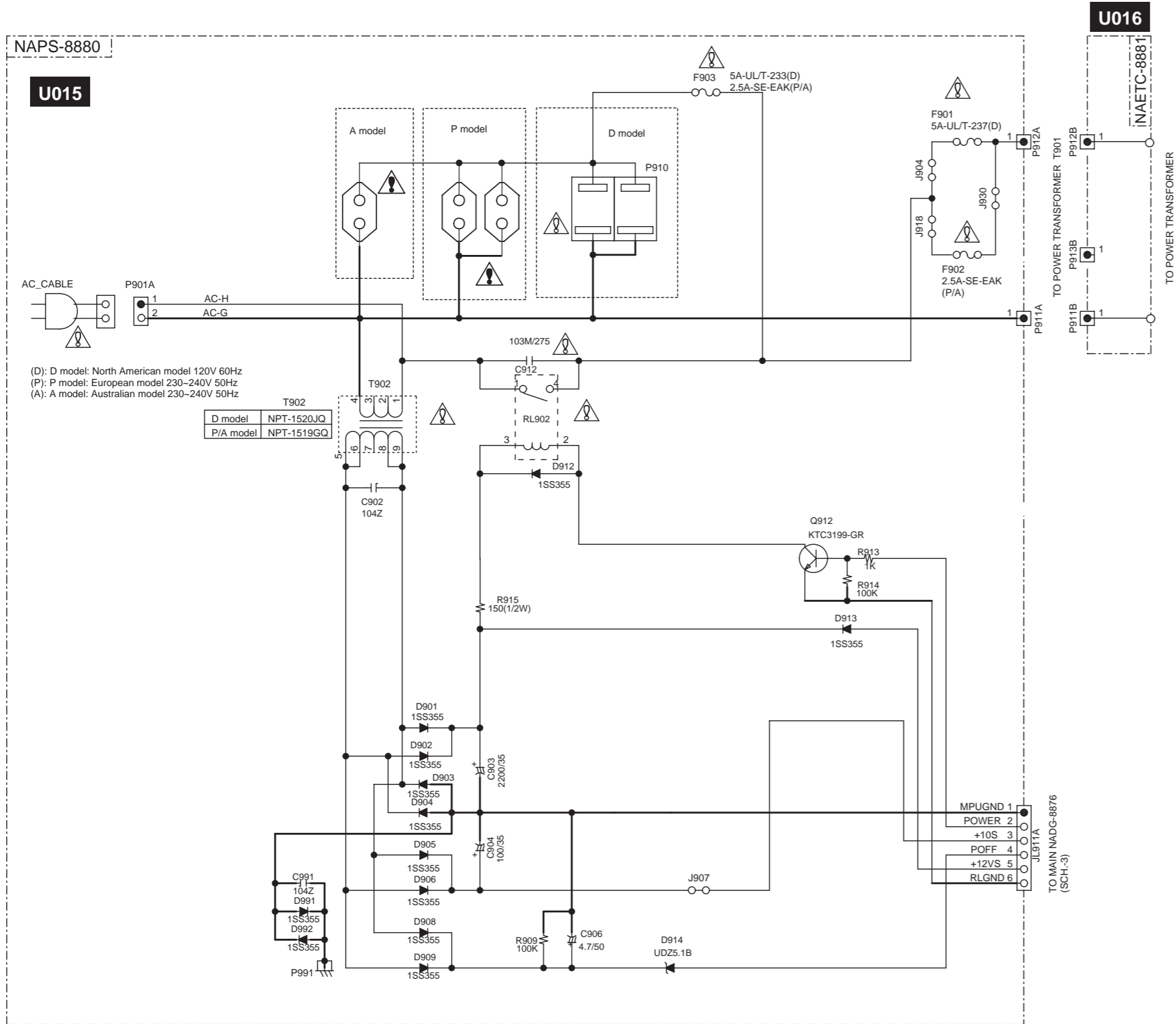
1

2

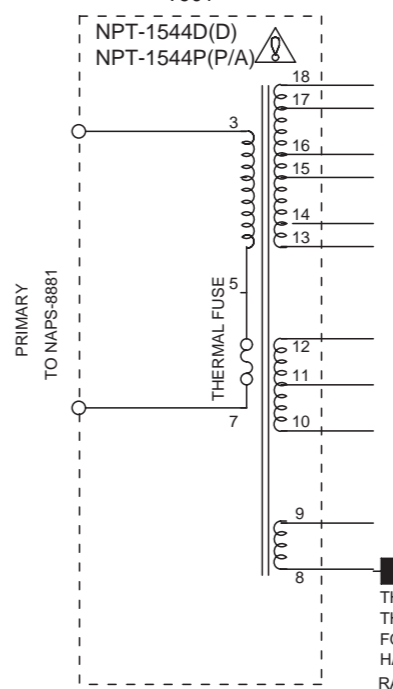
3

4

5



**POWER TRANSFORMER
T901**



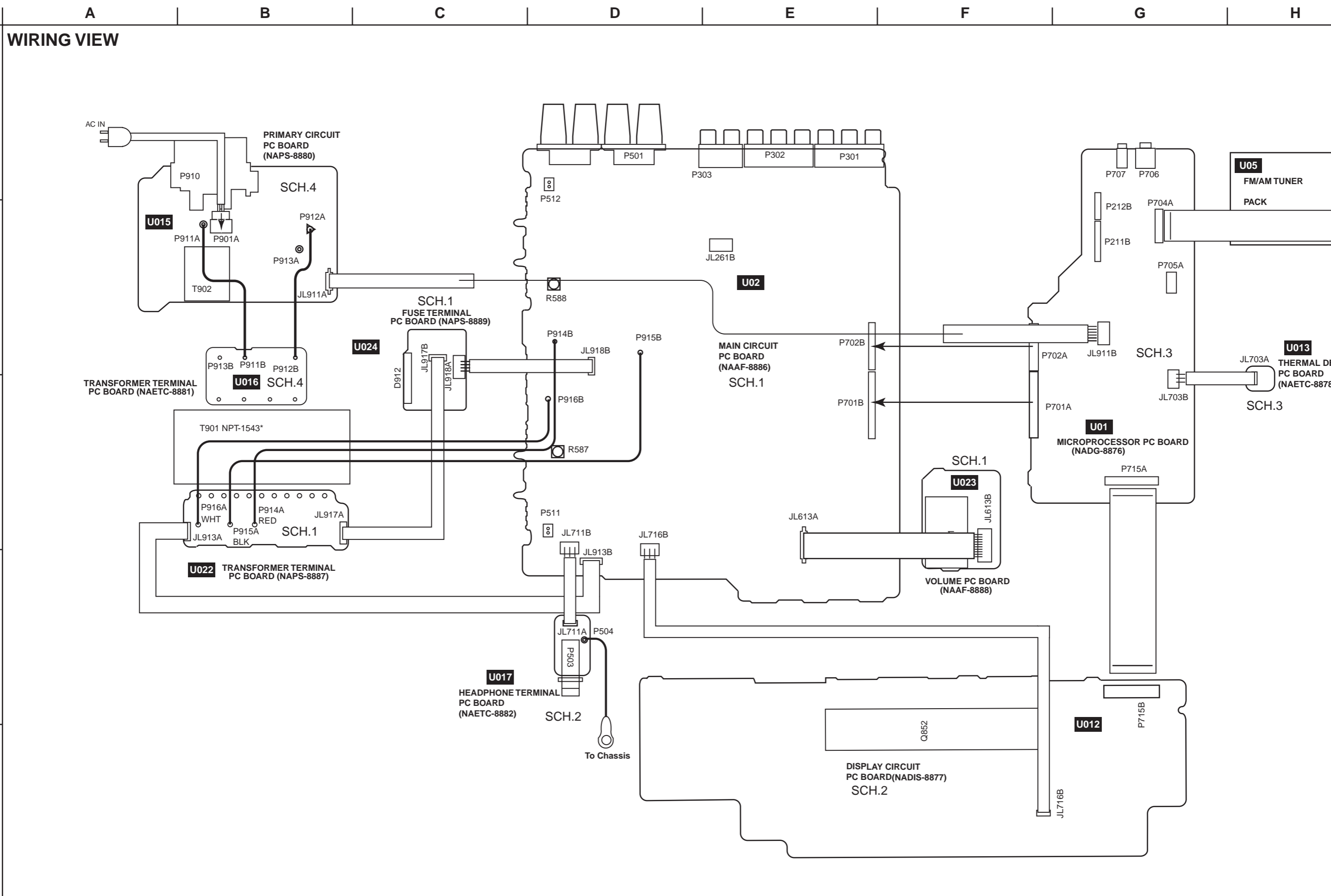
CAUTION
FOR CONTINUED PROTECTION AGAINST FIRE HAZARD, REPLACE ONLY WITH FUSE OF SAME TYPE AND RATING INDICATED.

ATTENTION
AFIN D'ASSURER UNE PROTECTION PERMANENTE CONTRE LES RISQUES D'INCENDIE, REMPLACER UNIQUEMENT PAR UN FUSIBLE DE MEME TYPE ET CALIBRATION COMME INDIQUE.

THIS SYMBOL LOCATED NEAR THE FUSE INDICATES THAT THE FUSE USED IS SLOW OPERATING TYPE FOR CONTINUED PROTECTION AGAINST FIRE HAZARD, REPLACE WITH SAME TYPE FUSE. FOR FUSE RATING REFER TO THE MARKING ADJACENT TO THE SYMBOL

CE SYMBOLE INDIQUE QUE LE FUSIBLE UTILISE EST E LENT. POUR UNE PROTECTION PERMANENTE, N'UTILISER QUE DES FUSIBLES DE MEME TYPE. CE DARNIER EST INDIQUE LA QU LE PRESENT SYMBOLE EST APPOSE.

- NOTE**
- THE COMPONENTS IDENTIFIED BY MARK ARE CRITICAL FOR SAFETY. REPLACE ONLY WITH PART NUMBER SPECIFIED.
 - VOLTAGE (MEASURED WITH VOLTMETER) IS DC VOLTAGE. (NO INPUT SIGNAL)
 - ELECTROLYTIC CAPACITORS () ARE IN μ F/WV.
 - ALL CAPACITORS ARE IN pF/50WV UNLESS OTHERWISE NOTED.
EX) 030x3pF 330x33pF 331x330pF 333x0.033uF
 - ALL RESISTORS ARE IN OHMS 1/4WATTS UNLESS OTHERWISE NOTED.
 - THE THICK LINES ON PC BOARD ARE THE PRINTING SIDE OF THE PARTS.
EX) PRINTING SIDE
 - CIRCUIT IS SUBJECT TO CHANGE FOR IMPROVEMENT.

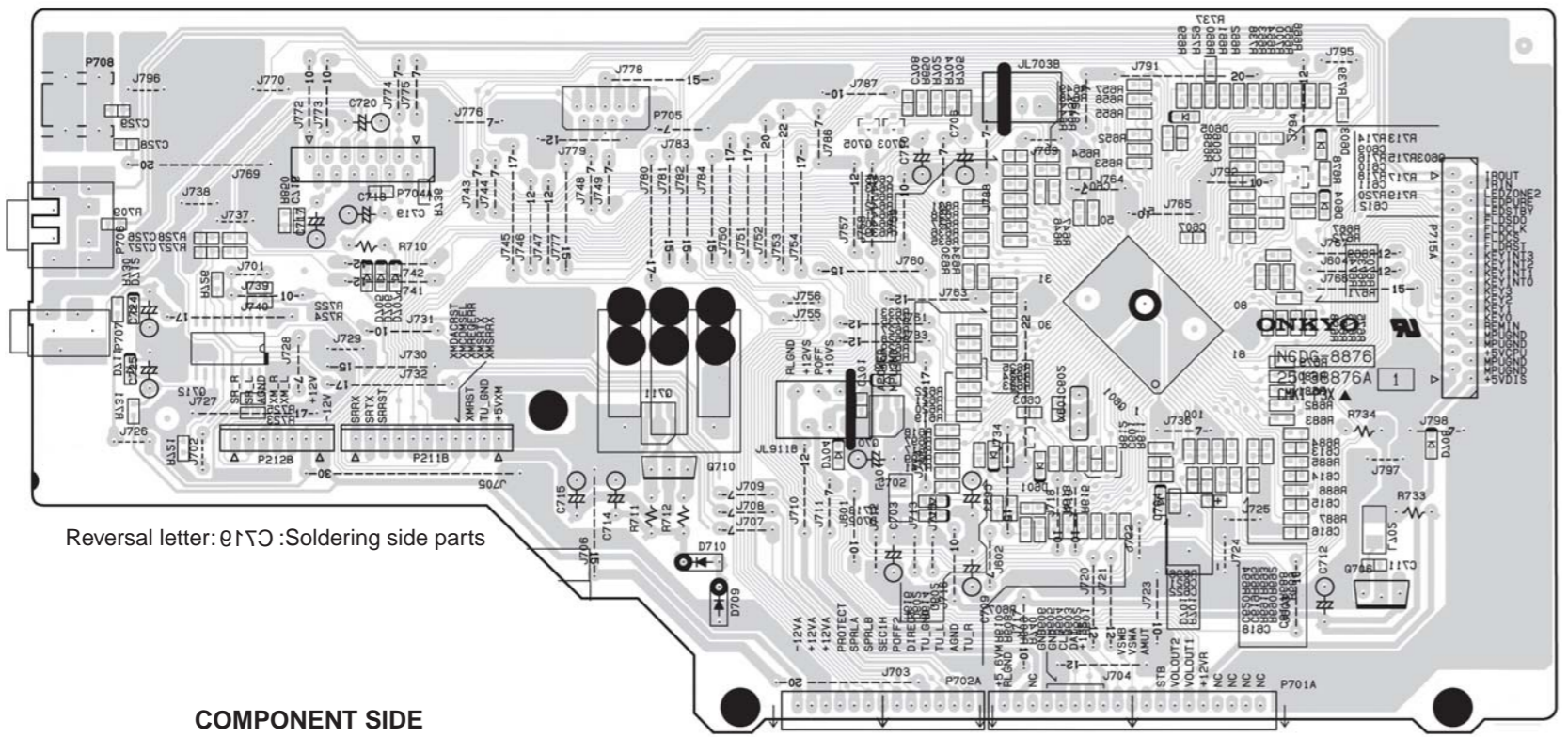


1
2
3
4
5

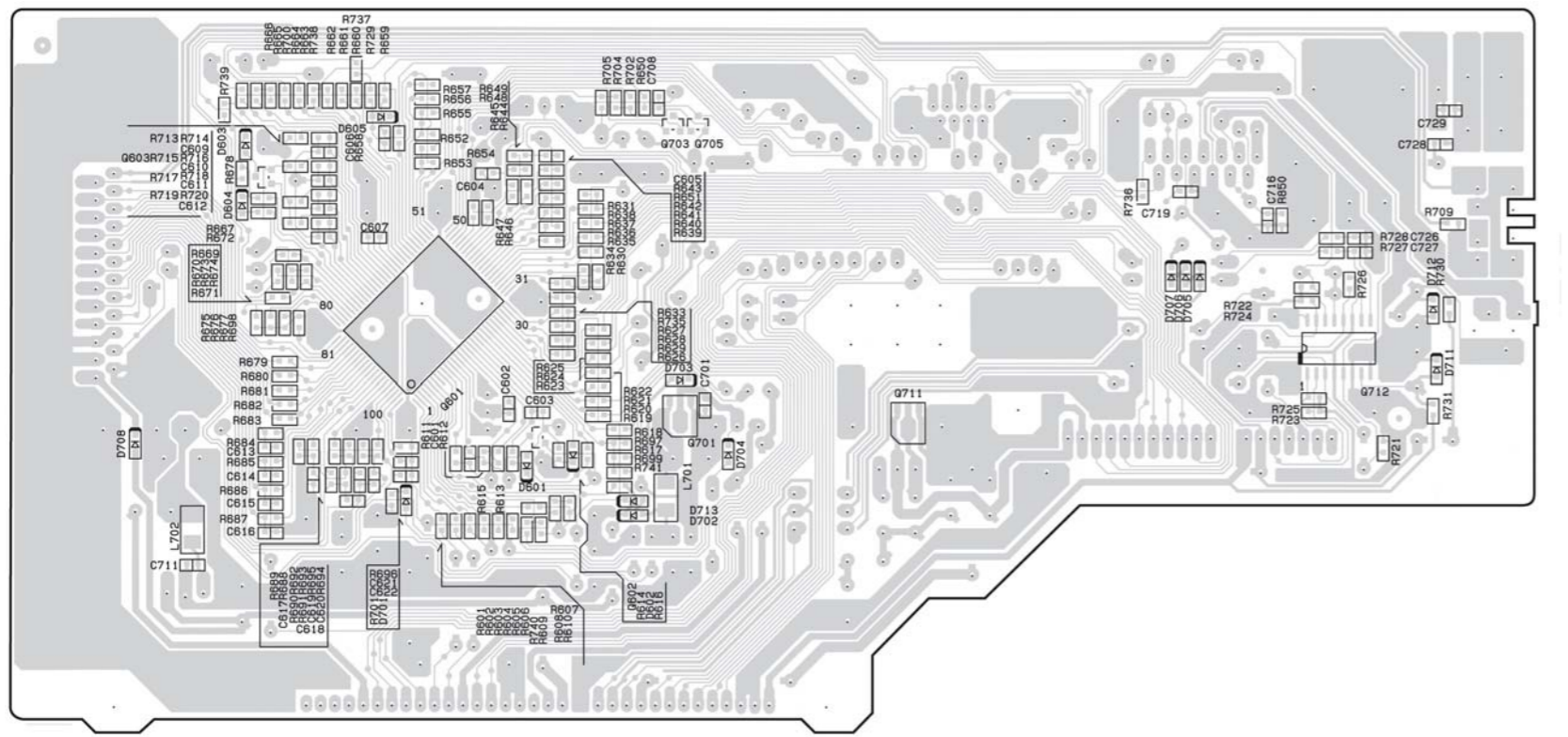
A B C D E F G H

PRINTED CIRCUIT BOARD VIEW 1

1



2



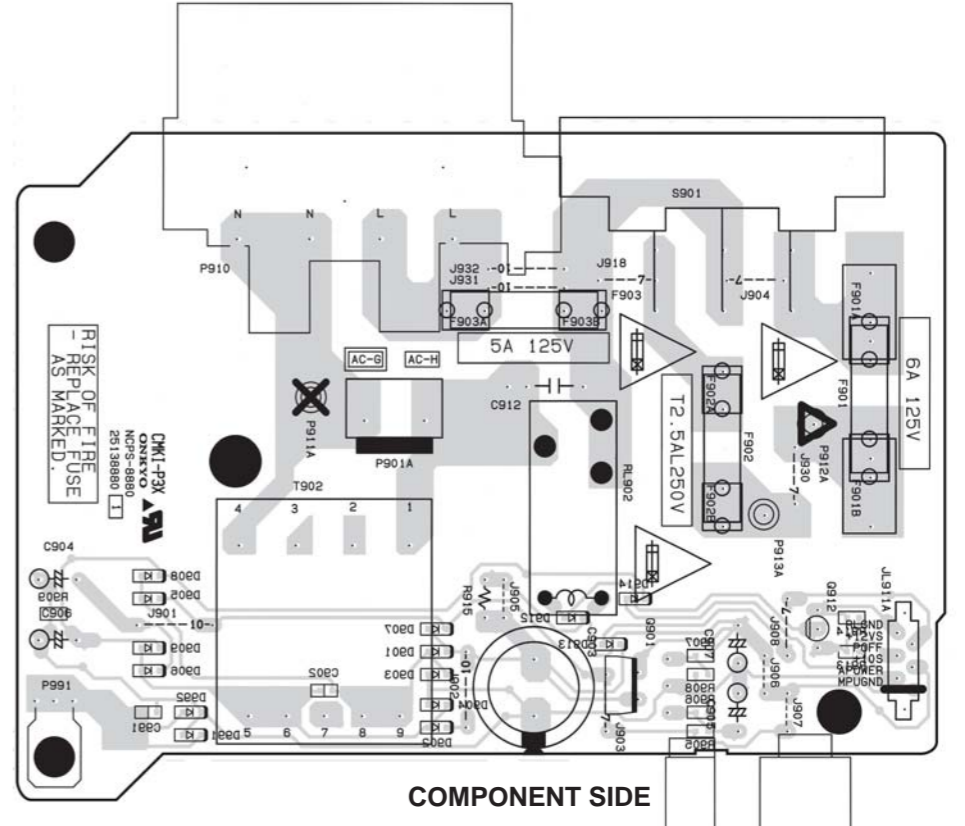
3

U01

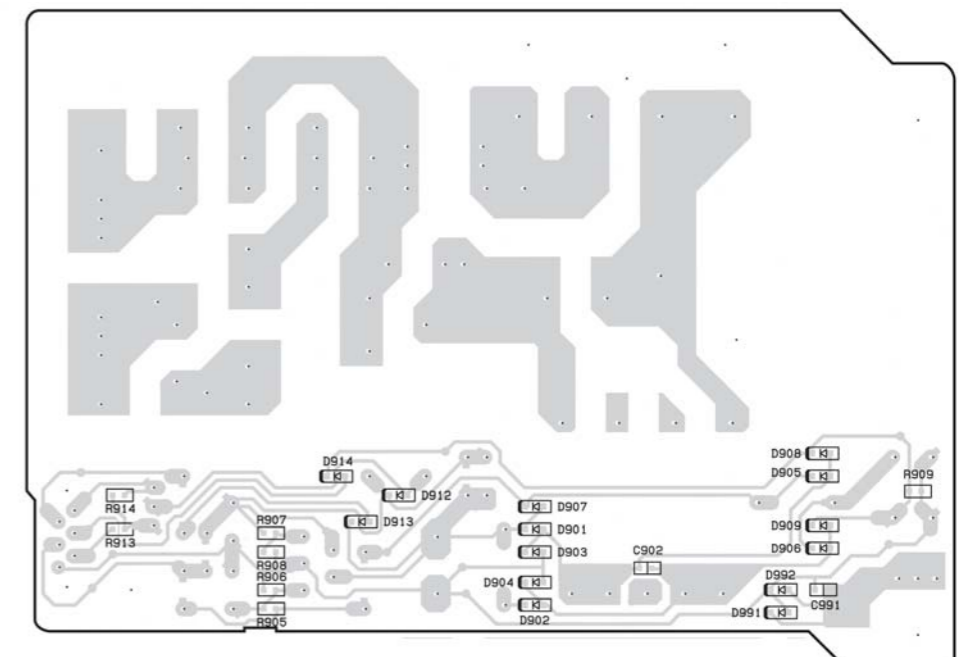
MICROPROCESSOR PC BOARD (NADG-8876)

4

5



Reversal letter: 100C :Soldering side parts



U015

PRIMARY CIRCUIT PC BOARD (NAPS-8880)

PRINTED CIRCUIT BOARD VIEW 3

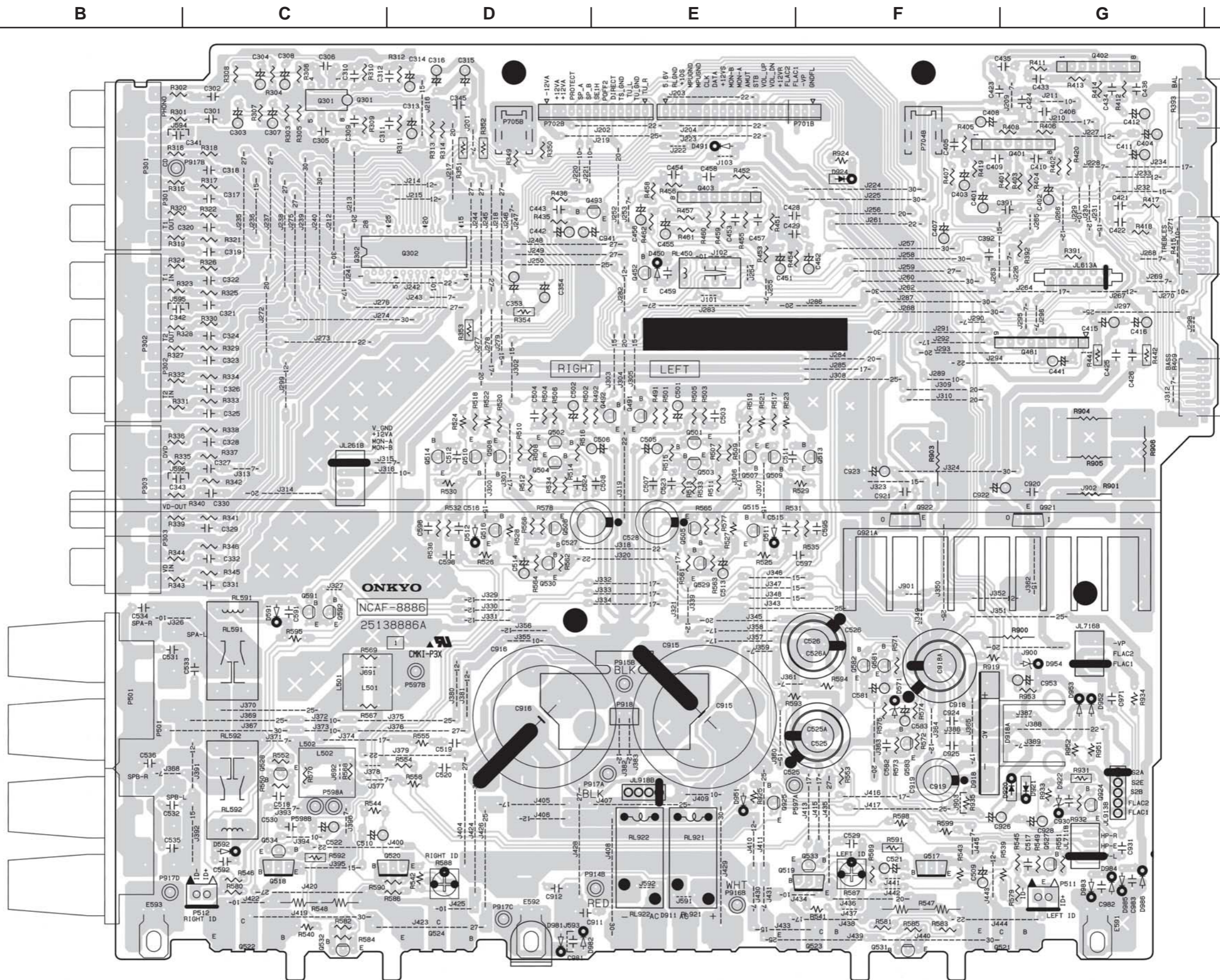
1

2

3

4

5



U02

MAIN CIRCUIT PC BOARD (NAAF-8886)

A

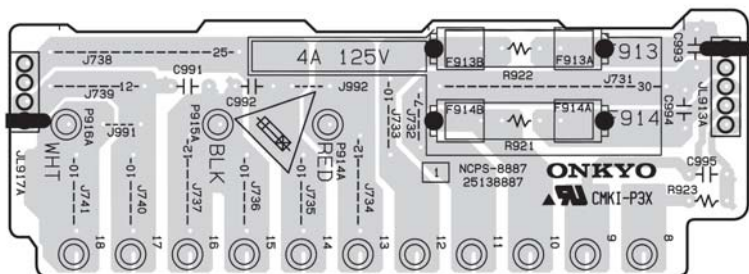
B

C

D

PRINTED CIRCUIT BOARD VIEW 4

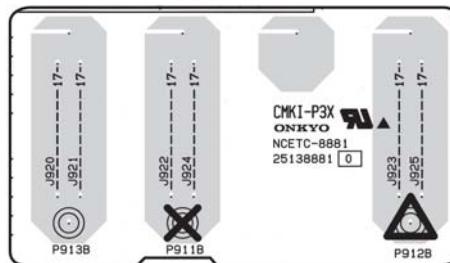
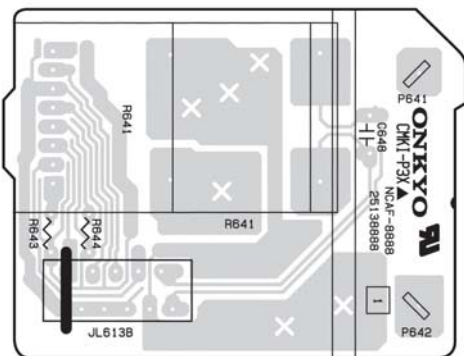
1



U022

TRANSFORMER TERMINAL
PC BOARD (NAPS-8887)

2



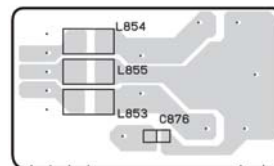
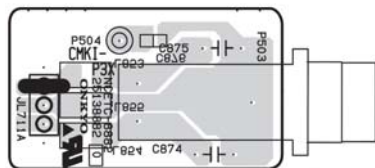
U023

VOLUME PC BOARD
(NAAF-8888)

U016

TRANSFORMER TERMINAL
PC BOARD (NAETC-8881)

3



Reversal letter: 100Q :Soldering side parts

COMPONENT SIDE

SOLDERING SIDE

4

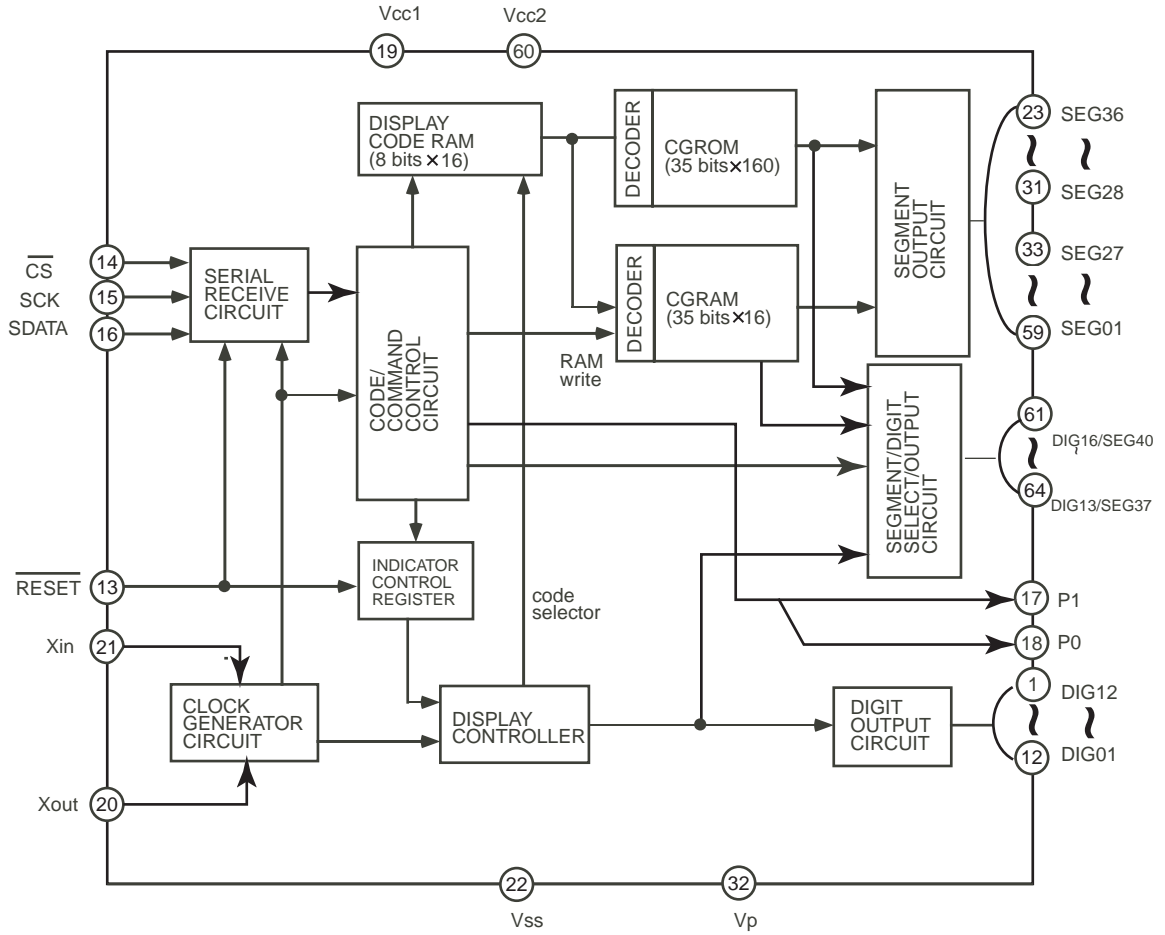
U017

HEADPHONE TERMINAL PC BOARD (NAETC-8882)

5

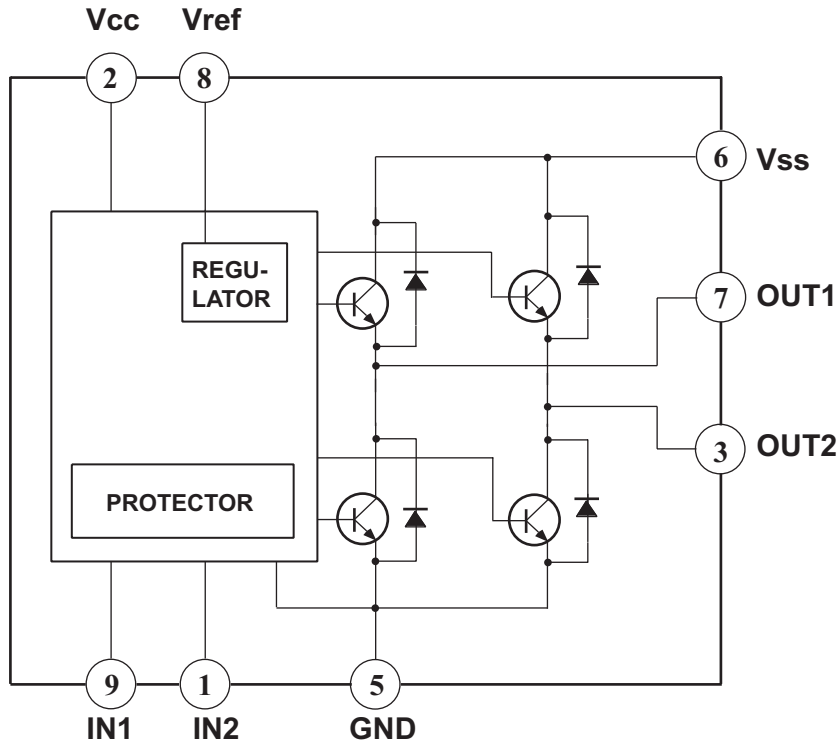
IC BLOCK DIAGRAMS AND DESCRIPTIONS

M66005-0001AFP(FL tube drive IC)



IC BLOCK DIAGRAMS AND DESCRIPTIONS

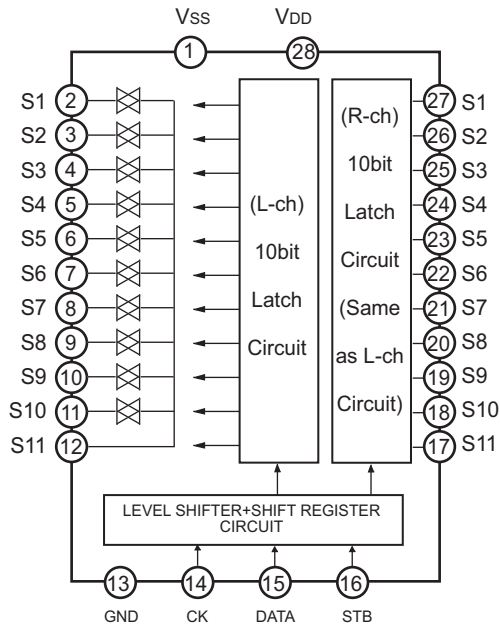
TA7291S(Volume motor driver)



INPUT		OUTPUT		MODE
IN1	IN2	OUT1	OUT2	
0	0	∞	∞	STOP
1	0	H	L	CW/CCW
0	1	L	H	CCW/CW
1	1	L	L	BRAKE

CCW: Counter-clockwise
 CW: Clockwise

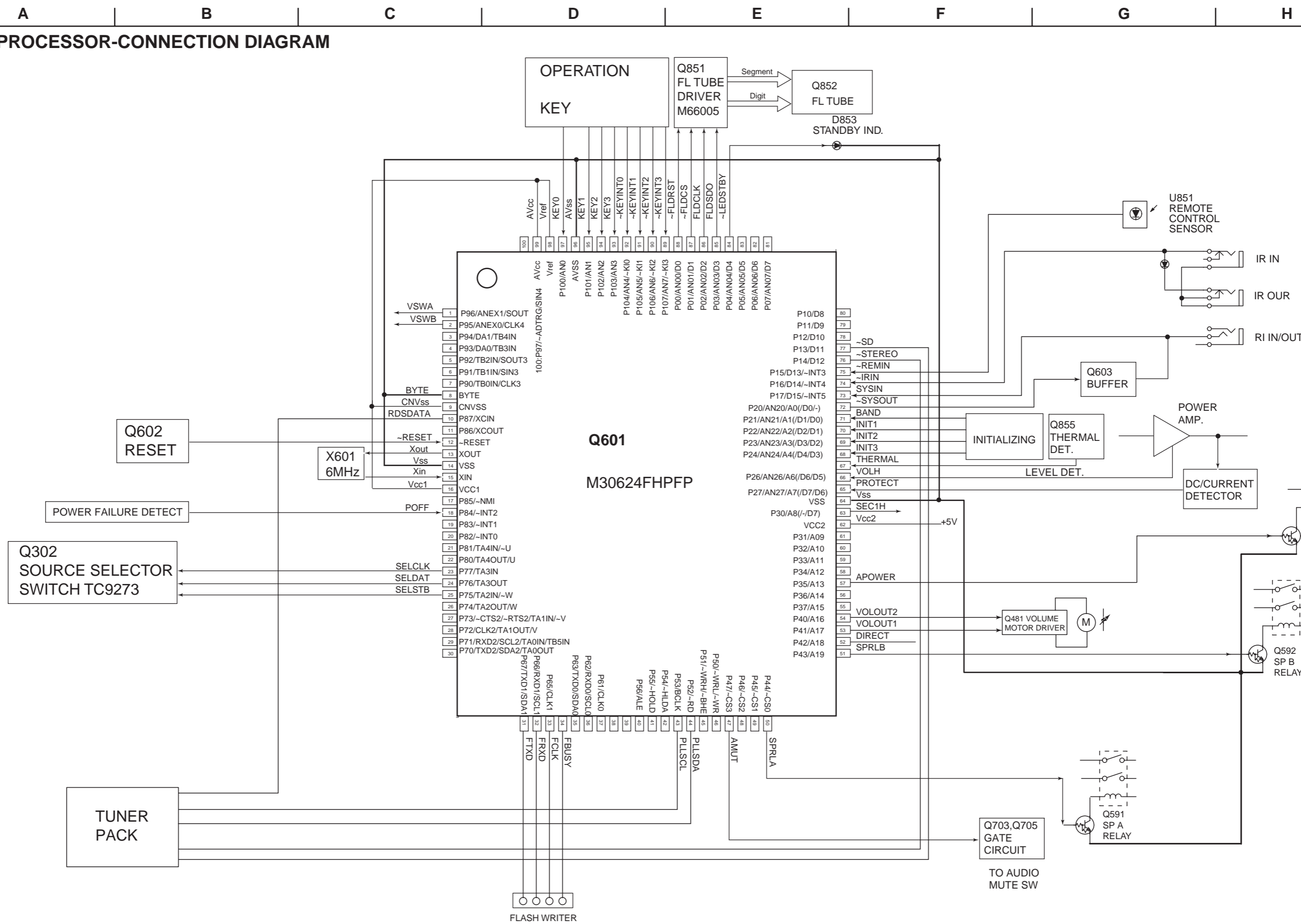
TC9273CNG(Analog Switch Array)



Pin No.	Symbol	Description
1	Vss	Negative power supply pin
13	GND	Digital ground pin
28	VDD	Positive power supply pin
2/27	S1	Input/Output pins
3/26	S2	
4/25	S3	
5/24	S4	
6/23	S5	
7/22	S6	
8/21	S7	
9/20	S8	
10/19	S9	
11/18	S10	
12/17	S11	
14	CK	Clock input pin for data transfer.
15	DATA	Serial data input pin for setting switches.
16	STB	Strobe input pin for data writing.

MICROPROCESSOR-CONNECTION DIAGRAM

1
2
3
4
5



TO AUDIO MUTE SW

MICROPROCESSOR-TERMINAL DESCRIPTION 1

No.	Terminal	Signal Name	I/O	Act.	Description
1	P96/ANEX1/SOUT4	VSWA	O	H	Not used.
2	P95/ANEX0/CLK4	VSWB	O	H	Not used.
3	P94/DA1/TB4IN		I	L	Not used.
4	P93/DA0/TB3IN	Z2SELCLK	O	L	Not used.
5	P92/TB2IN/SOUT3	Z2SELDAT	O	H	Not used.
6	P91/TB1IN/SIN3	Z2SELLAT	O	L	Not used.
7	P90/TB0IN/CLK3		I	L	Not used.
8	BYTE	BYTE			External bus select pin. Connect to Ground.
9	CNVSS	CNVss			Processor mode select pin
10	P87/XCIN	RDSDATA	I	H	RDS data input pin. European model only.
11	P86/XCOU		I	L	Not used. Connect to Ground.
12	~RESET	~RESET	I	L	System reset pin.
13	XOUT	Xout			Ceramic resonator connection pin. Connect a ceramic resonator 6.00MHz.
14	VSS	Vss			Ground pin.
15	XIN	Xin			Ceramic resonator connection pin. Connect a ceramic resonator 6.00MHz.
16	VCC1	Vcc1			Power supply pin.
17	P85/~NMI	~NMI	I	L	Not used.
18	P84/~INT2	POFF	I	L	Power failure detection pin
19	P83/~INT1		I	L	Not used.
20	P82/~INT0	~XMREQERR	I	L	RDS clock input pin. (European model only)
21	P81/TA4IN/~U	XMCOMSEL	O	H	Not used.
22	P80/TA4OUT/U	~XMDACRST	O	L	Not used.
23	P77/TA3IN	SELCLK	O	H	Input Selector clock output pin
24	P76/TA3OUT	SELDAT	O	H	Input Selector data output pin
25	P75/TA2IN/~W	SELSTB	O	H	Input Selector strobe output pin
26	P74/TA2OUT/W	SIRIUSRST	O	L	Reset control output pin for Sirius
27	P73/~CTS2/~RTS2/TA1IN/~V	TUXMSELA	O	H	Not used.
28	P72/CLK2/TA1OUT/V	TUXMSELB	O	H	Not used.
29	P71/RXD2/SCL2/TA0IN/TB5IN	SIRIUSRX	I	H	Not used.
30	P70/TXD2/SDA2/TA0OUT	SIRIUSTX	O	H	Not used.
31	P67/TXD1/SDA1	FTXD	O	H	Port for flash writer.
32	P66/RXD1/SCL1	FRXD	I	H	Port for flash writer.
33	P65/CLK1	FCLK	O	CLK	Port for flash writer.
34	P64/~CTS1/~RTS1/~CTS0/CLK	FBUSY	O	H	Port for flash writer.
35	P63/TXD0/SDA0	XMSRTXD	O	H	Not used.
36	P62/RXD0/SCL0	XMSRRXD	I	H	Not used.
37	P61/CLK0	~XMRST	O	L	Not used.
38	P60/~CTS0/~RTS0		I	L	Not used.
39	P57/~RDY/CLKOUT		I	L	Not used.
40	P56/ALE		I	L	Not used.
41	P55/~HOLD	~FEPM	I	H	Port for flash writer.
42	P54/~HLDA		I	L	Not used.
43	P53/BCLK	PLLSCL	O	CLK	Clock output pin for tuner pack,
44	P52/~RD	PLLSDA	I/O	H	Data output pin for tuner pack.
45	P51/~WRH/~BHE		I	L	Not used.
46	P50/~WRL/~WR	~FCE	I	H	Port for flash writer.
47	P47/~CS3	AMUT	O	H	Audio muting control output pin.
48	P46/~CS2	Z2MUT	O	H	Not used.
49	P45/~CS1		I	L	Not used.
50	P44/~CS0	SPRLA	O	H	Speaker relay A control output pin.
51	P43/A19	SPRLB	O	H	Speaker relay B control output pin.
52	P42/A18	DIRECT	O	H	Not used.
53	P41/A17	VOLOUT1	O	H	Volume motor driver control output pin 1
54	P40/A16	VOLOUT2	O	H	Volume motor driver control output pin 2
55	P37/A15		I	L	Not used.
56	P36/A14		I	L	Not used.
57	P35/A13	APOWER	O	H	Power supply control output pin.
58	P34/A12	~POFF2	I	L	Not used.
59	P33/A11		I	L	Not used.
60	P32/A10		I	L	Not used.

MICROPROCESSOR-TERMINAL DESCRIPTION 2

No.	Terminal	Signal Name	I/O	Act.	Description
61	P31/A09		I	L	Not used.
62	VCC2	Vcc2			Power supply pin.
63	P30/A8(/-/D7)	SEC1H	O	H	Not used.
64	VSS	Vss			Ground pin.
65	P27/AN27/A7(/D7/D6)	PROTECT	I	H	Abnormal voltage and current detection input pin
66	P26/AN26/A6(/D6/D5)	VOLH	I	A/D	Output signal level detection pin
67	P25/AN25/A5(/D5/D4)	THERMAL	I	A/D	Thermal detection input pin.
68	P24/AN24/A4(/D4/D3)	INIT3	I	A/D	Initializing input pin 3
69	P23/AN23/A3(/D3/D2)	INIT2	I	A/D	Initializing input pin 2
70	P22/AN22/A2(/D2/D1)	INIT1	I	A/D	Initializing input pin 1
71	P21/AN21/A1(/D1/D0)	BAND	I	A/D	Band setting input pin
72	P20/AN20/A0(/D0/-)	~SYSOUT	O	L	System code output pin
73	P17/D15/~INT5	SYSIN	I	H	System code input pin
74	P16/D14/~INT4	~IRIN	I	L	IR signal input pin
75	P15/D13/~INT3	~REMIN	I	L	Signal input pin from remote controller.
76	P14/D12	~STEREO	I	L	FM stereo detection input pin
77	P13/D11	~SD	I	L	Broadcast detection input pin
78	P12/D10		I	L	Not used.
79	P11/D9		I	L	Not used.
80	P10/D8		I	L	Not used.
81	P07/AN07/D7		O	L	Not used.
82	P06/AN06/D6	LEDZONE2	O	H	Not used.
83	P05/AN05/D5	LEDPURE	O	H	Not used.
84	P04/AN04/D4	~LEDSTBY	O	L	STANDBY indicator control output pin
85	P03/AN03/D3	FLDSDO	O	H	FL tube driver data output pin
86	P02/AN02/D2	FLDCLK	O	CLK	FL tube driver clock output pin
87	P01/AN01/D1	~FLDCS	O	L	FL tube driver chip select output pin
88	P00/AN00/D0	~FLDRST	O	L	Reset signal output pin for FL tube driver
89	P107/AN7/~KI3	~KEYINT3	I	L	Operation key interrupter input pin 3
90	P106/AN6/~KI2	~KEYINT2	I	L	Operation key interrupter input pin 2
91	P105/AN5/~KI1	~KEYINT1	I	L	Operation key interrupter input pin 1
92	P104/AN4/~KI0	~KEYINT0	I	L	Operation key interrupter input pin 0
93	P103/AN3	KEY3	I	L	Operation key input pin 3
94	P102/AN2	KEY2	I	A/D	Operation key input pin 2
95	P101/AN1	KEY1	I	A/D	Operation key input pin 1
96	AVSS	AVss			Ground pin.
97	P100/AN0	KEY0	I	A/D	Operation key input pin 0
98	Vref	Vref			Reference voltage pin
99	AVcc	AVcc			Power supply pin.
100	P97/~ADTRG/SIN4		I	L	Not used.

ADJUSTMENT AND CONFIRMATION PROCEDURES 1

Idling current adjustment

Before Idling adjustment, turn the trimming resistors R587 and R588 to counter clockwise.

Connect the DC voltmeter to terminals P511 and P512.

After turn POWER to ON, adjust the trimming resistors R587 and R588 so that the reading of voltmeter becomes 2.5 mV.

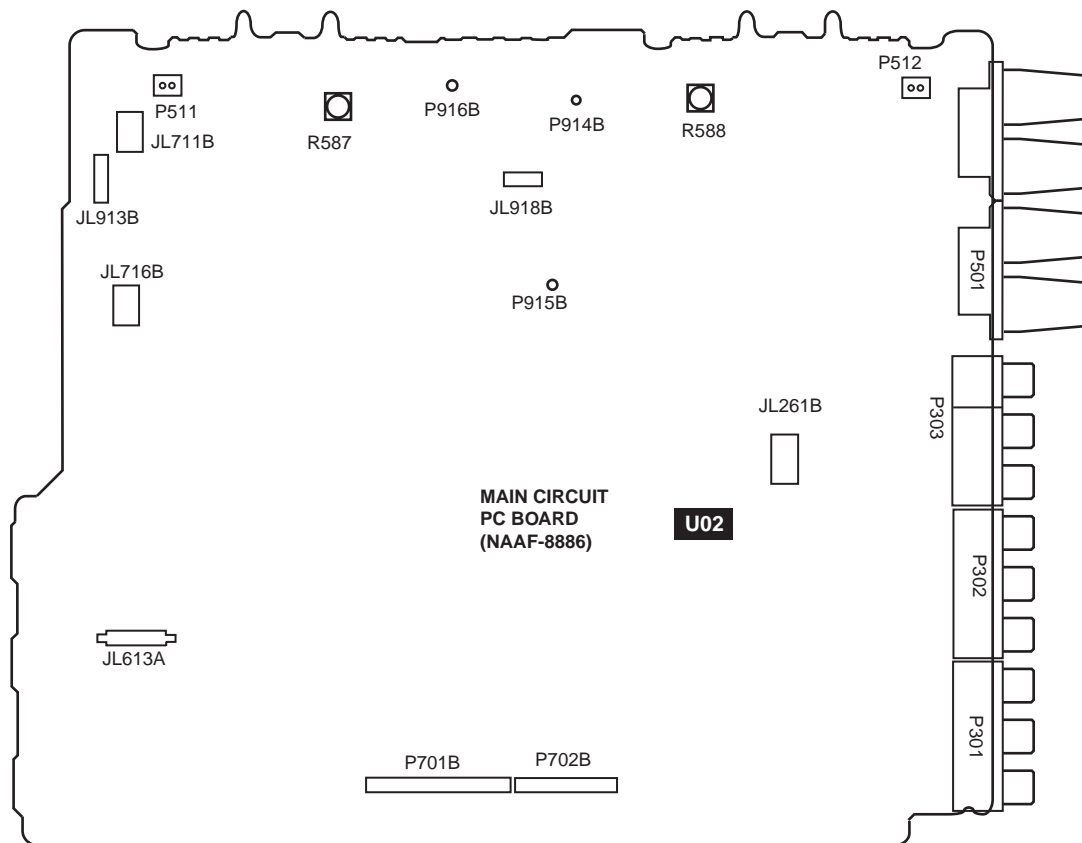
After adjustment, attach the top cover.

Confirm the voltage of points above after about five minutes.

When less than 4.5 mV, readjust the resistors above so that the voltage becomes 4.5 mV.

When 4.5 mV to 5.5 mV, you are not necessary to adjust.

When more than 5.5 mV, readjust the resistors above so that the voltage becomes 5.5 mV.



Confirmation of protection circuit

1. Confirmation of operation of speaker relay

Confirm that the speaker relays turn ON approximate. 5 seconds after the power switch is turned ON.

Confirm that the speaker relays turn OFF immediately after the power switch is turned OFF.

2. Confirmation of DC detection circuit

Press and hold down CD button, then press STANDBY/ON button.

After "Test-" on the FL tube light on, press DVD button to set the unit to "TEST-1 00".

Turn VOLUME to the maximum position. Apply DC 1.5 to 3V to CD terminal with no load.

Confirm that the speaker relay turns OFF.

Apply DC -1.5 to -3V to CD terminal with no load.

Confirm that the speaker relay turns OFF.

Caution: Don't apply DC voltage more than 1 sec..

ADJUSTMENT AND CONFIRMATION PROCEDURES 2

3. Confirmation of Current detection circuit

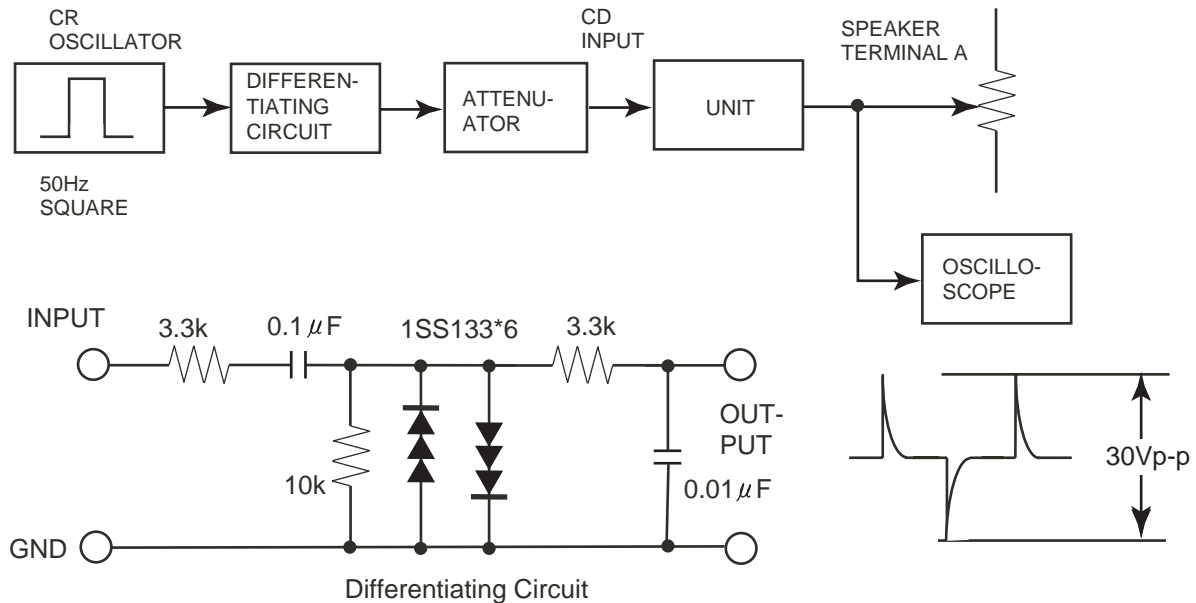
Set the unit to "TEST-1-00".

Connect the differentiating circuit and apply the 50Hz square signal to CD terminal of each channel.

Adjust the attenuator or Volume so that the output level becomes 30V p-p.

Confirm that the speaker relay does not turn OFF when a 2.0 ohm load is connected.

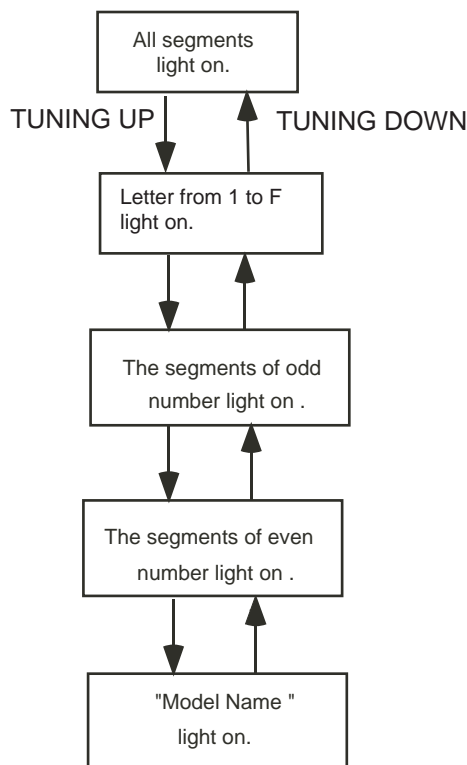
Confirm that the speaker relay turns on when a 0.5 ohm load is connected.



FL TEST MODE

1. Press and hold down CD button, then press STANDBY/ON button.
2. After "TEST-" on the FL tube is displayed, press CD button to set the unit to the test mode of FL tube.

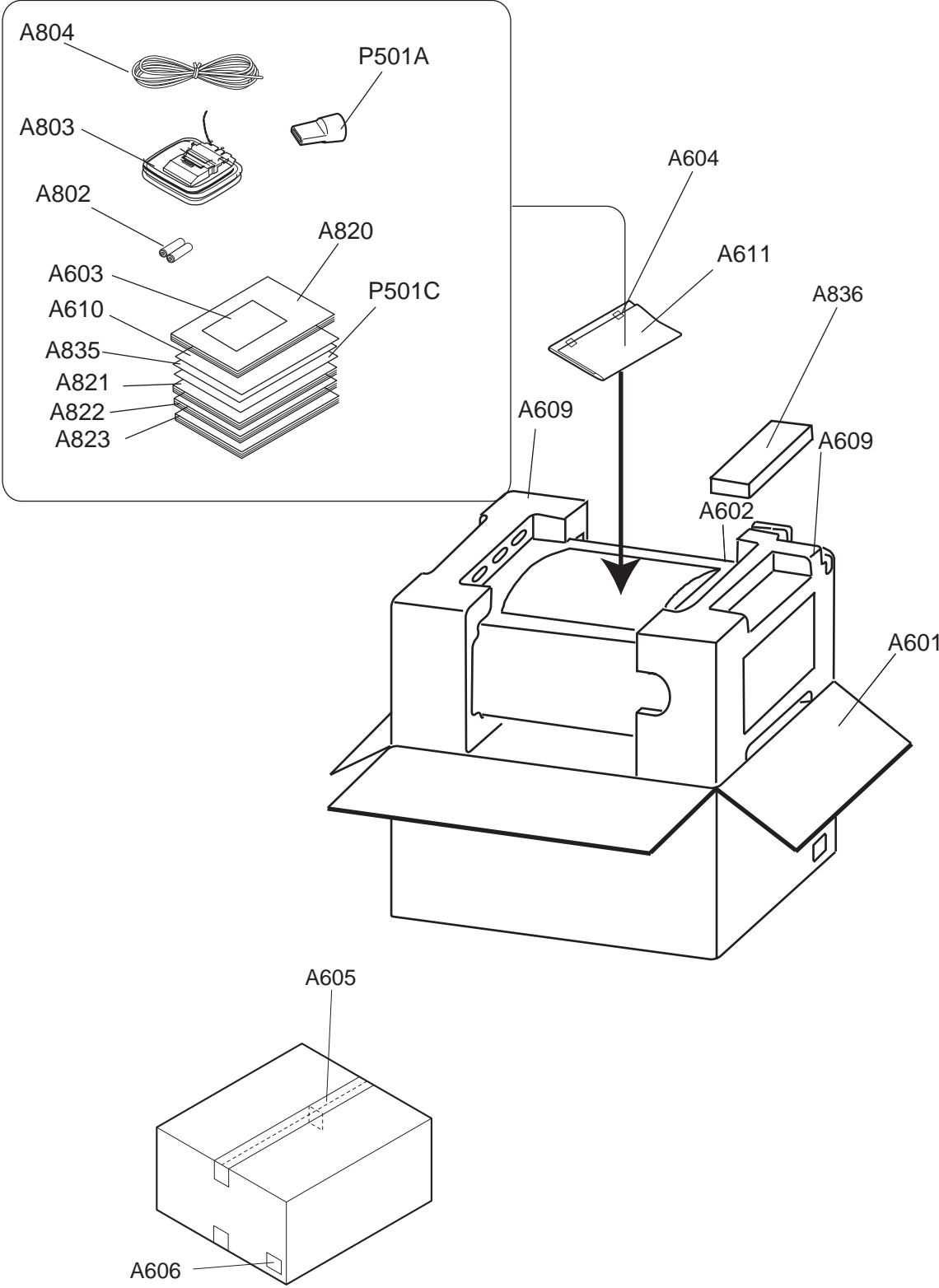
Test mode of FL tube



Confirmation of microprocessor version
Press and hold down DISPLAY button,
then press STANDBY/ON button.

Confirmation of thermal detector
Press and hold down DISPLAY button,
then press STANDBY/ON button.
During Microprocessor version is displayed,
press SPEAKER B button.

PACKING VIEW



EXPLODED VIEW-PARTS LIST

NOTE: THE COMPONENTS IDENTIFIED BY MARK !
ARE CRITICAL FOR RISK OF FIRE AND
ELECTRIC SHOCK. REPLACE ONLY WITH
PART NUMBER SPECIFIED.

CAUTION: Replacement for transistor of mark *, if necessary
must be made from the same beta group (#E) as
the original type.

NOTE:

: Black model
<S>: Silver model
<D>: USA model
<P>: European model
<A>: Australian model
<C>: Canadian model
NSP: No Spare Part

REF. NO.	PART NAME	DESCRIPTION	PART NO.	REMARKS
A001	F BRACKET		27110952	
	F BRACKET		27111418	<S>
A002	CUSHION	180x5xt1	28141462	
A003	SCREW	3TTB+8B(3CM)SR	801637	
A005	HOLDER	KGLS-16RT	27190511	
A006	CHASSIS		27100479	NSP
A007	HOLDER		27190991	
A008	SCREW	4TTC+8C(3BC)	830440089GR	
A009	CUSHION	T4L20D10	28141566	
A010	HEAT SINK	233	27160594	
A011	RETAINER	(HS-2)	27141530A	
A014	RETAINER		27141671	
A018	SCREW	3SMS8W.SW+14B(CU)	801634	
A023	BUSHING	S-RELIEF #2271	27300750	!
A028	HOLDER	KGLS-12RT	27190266	
A201	COVER		28184964	
	COVER		28184965	<S>
A202	SCREW	3TTB+8B(3BC)	838430088GR	
	SCREW	3TTB+8B(3CM)	838130088GR	<S>
A203	IB CUSHION	W15*3t TAPE	28141585	
A205	BOTTOM LEG		27175432B	
A206	CUSHION		28141664	
A210	KNOB	(VOL)	28325456	
	KNOB	(VOL)	28326349	<S>
A212	KNOB	(TONE)	28325454	
	KNOB	(TONE)	28326350	<S>
A214	DECO FRM		27215379	
	DECO FRM		27215380	<S>

A218	TAPE	TAPE(CLOTH-16U)	29110083	
A219	TAPE	TAPE(CLOTH-8U)	29110082	
A220	SPACER		27270472	
A300	REAR PANEL		27123570	<D/C>
	REAR PANEL		27123572A	<A>
	REAR PANEL		27123571A	<P>
A301	SCREW	3TTB+8B(3BC)	838430088GR	<D/C>
A302	WASHER	W3*10F(3BC)	87643010GR	
A350	F PANEL		27212916	<D/C/A>
	F PANEL		27212917	 <P>
	F PANEL		27212918	<S> <P>
A351	SCREW	3TTB+8B(3BC)	838430088GR	
A352	BADGE		28135244	
	BADGE		28135298	<S>
A355	CLEAR PLT		28192098A	<D/C/A>
	CLEAR PLT		28192099	 <P>
	CLEAR PLT		28192100	<S> <P>
A607	LABEL	HOOKUP-ONKYO	29363194	<D/C>
A811	CLIP	CS-1U	27255004	
D911	DIODE	D10XB60H	22380337	
E801	WIRE TIE	BSK-1	260208	
F901	FUSE	5A-UL/T-233 or	252326GR or	! <D/C>
	FUSE	5A-T/UL-ST2	252258GR	! <D/C>
F902	FUSE	2.5A-SE-EAK or	252075GR or	! <P/A>
	FUSE	2.5A-SE-TL250V	252275GR	! <P/A>
F903	FUSE	5A-UL/T-233 or	252326GR or	! <D/C>
	FUSE	5A-T/UL-ST2	252258GR	! <D/C>
	FUSE	2.5A-SE-EAK or	252075GR or	! <P/A>
	FUSE	2.5A-SE-TL250V	252275GR	! <P/A>
P501B	P RIVET	JB-407A-C	880052	<P/A>
P704	FFC	NCFC7-131012	2047131012	
P715	FFC	NCFC7-242012	2047242012	
P901	AC CORD	AS-UC-2 or	253368LTK or	! <D/C>
	AC CORD	AS-UC-2 or	253368YUN or	! <D/C>
	AC CORD	AS-UC-2	253333VOL	! <D/C>
	AC CORD	AS-SAA	253388LTK	! <A>
	AC CORD	AS-CEE-2 or	253306VOL or	! <P>
	AC CORD	AS-CEE-2 or	253374LTK or	! <P>

	AC CORD	AS-CEE-2	253374YUN	! <P>
Q521,Q522	TR	2SC5197-O	2203043	
Q521A	ISO SHEET	AC238	223024	
Q523,Q524	TR	2SA1940-O	2203033	
T901	P TRANS	NPT-1544D	2301870	! <D/C>
	P TRANS	NPT-1544P	2301871	! <P/A>
U01	Microprocessor PCB AS	NADG-8876-1M	1B144576-1M	<D/C>
	Microprocessor PCB AS	NADG-8876-1N	1B144576-1N	<P>
	Microprocessor PCB AS	NADG-8876-1P	1B144576-1P	<A>
U012	Display circuit PCB AS	NADIS-8877-1M	1B144577-1M	<D/C>
	Display circuit PCB AS	NADIS-8877-1N	1B144577-1N	<P>
	Display circuit PCB AS	NADIS-8877-1P	1B144577-1P	<A>
U013	Thermal detector PCB AS	NAETC-8878-1M	1B144578-1M	<D/C>
	Thermal detector PCB AS	NAETC-8878-1N	1B144578-1N	<P>
	Thermal detector PCB AS	NAETC-8878-1P	1B144578-1P	<A>
U014	Holder PCB	NAETC-8879-1M	1B144579-1M	<D/C>
	Holder PCB	NAETC-8879-1N	1B144579-1N	<P>
	Holder PCB	NAETC-8879-1P	1B144579-1P	<A>
U015	Primary circuit PCB AS	NAPS-8880-1M	1B144580-1M	<D/C>
	Primary circuit PCB AS	NAPS-8880-1N	1B144580-1N	<P>
	Primary circuit PCB AS	NAPS-8880-1P	1B144580-1P	<A>
U016	Transformer terminal PCB AS	NAETC-8881-1M	1B144581-1M	<D/C>
	Transformer terminal PCB AS	NAETC-8881-1N	1B144581-1N	<P>
	Transformer terminal PCB AS	NAETC-8881-1P	1B144581-1P	<A>
U017	Headphone terminal PCB AS	NAETC-8882-1M	1B144582-1M	<D/C>
	Headphone terminal PCB AS	NAETC-8882-1N	1B144582-1N	<P>
	Headphone terminal PCB AS	NAETC-8882-1P	1B144582-1P	<A>
U02	Main circuit PCB AS	NAAF-8886-1M	1B144586-1M	<D/C>
	Main circuit PCB AS	NAAF-8886-1N	1B144586-1N	<P/A>
U022	Transformer terminal PCB AS	NAPS-8887-1M	1B144587-1M	<D/C>
	Transformer terminal PCB AS	NAPS-8887-1N	1B144587-1N	<P/A>
U023	Volume PCB AS	NAAF-8888-1M	1B144588-1M	<D/C>
	Volume PCB AS	NAAF-8888-1N	1B144588-1N	<P/A>
U026	Clamper PCB AS	NAETC-8891-1M	1B144591-1M	<D/C>
	Clamper PCB AS	NAETC-8891-1N	1B144591-1N	<P/A>
U05	TUNER UNIT	FAE385-A11US or	240152 or	<D/C>
	TUNER UNIT	ENG06507QFUS	240156	<D/C>
	TUNER UNIT	FAE485-E12EX or	240155 or	<A>

	TUNER UNIT	ENG07506QFEX	240159	<A>
	TUNER UNIT	FAE485-E11EU	240154	<P>

PRINTED CIRCUIT BOARD-PARTS LIST

CIRCUIT NO.	PART NAME	DESCRIPTION	PART NO.	REMARKS
U01	Microprocessor PCB AS		NADG-8876-1M/1N/1P	
U012	Display circuit PCB AS		NADIS-8877-1M/1N/1P	
U013	Thermal detector PCB AS		NAETC-8878-1M/1N/1P	
U014	Holder PCB		NAETC-8879-1M/1N/1P	
U015	Primary circuit PCB AS		NAPS-8880-1M/1N/1P	
U016	Transformer terminal PCB AS		NAETC-8881-1M/1N/1P	
U017	Headphone terminal PCB AS		NAETC-8882-1M/1N/1P	
Q852	FL TUBE	16-BT-128GNYK	212258A	
Q601	IC	M3062MWP-B01FP(MASK)	22242449R3	
Q701	IC	S-812C56AUA-C3K	22242207R2	
Q706	IC	78M56(NJM78M56FA)	222780565JRC	
Q851	IC	M66005-0001AHP	22242208R3	
Q855	IC	LM61CIZ	22242212	
Q602,Q703	TR	RN1404	2214490R2	
Q603,Q705	TR	RN2402	2214530R2	
Q853	TR	2SC2712-GR	2213145R2	
Q912	TR	KTC3199-GR	2215864	
D601,D602	C-DIODE	1SS352 or	223234R2 or	
D603	C-DIODE	1SS355	223269R2	
D604	ZENER D	UDZS5.1B	224550510R2	
D701,D702,D703	C-DIODE	1SS352 or	223234R2 or	
D704,D705,D706	C-DIODE	1SS355	223269R2	
D707,D708,D713	C-DIODE	1SS352 or	223234R2 or	
	C-DIODE	1SS355	223269R2	
D851	ZENER D	UDZS8.2B	224550820R2	
D853	LED	SLI-343URC-TE7	225449	
D854	SPCF D	SIR-34ST3F	225456	
D901,D902,D903	C-DIODE	1SS352 or	223234R2 or	
D904,D905,D906	C-DIODE	1SS355	223269R2	
D908,D909	C-DIODE	1SS352 or	223234R2 or	
D912,D913	C-DIODE	1SS355	223269R2	
D914	ZENER D	UDZS5.1B	224550510R2	
D991,D992	C-DIODE	1SS352 or	223234R2 or	
	C-DIODE	1SS355	223269R2	

L701,L857	CHOKE COIL	NCH-1479	231237K470R2	
L702,L852	CHOKE COIL	NCH-1471	231237K022R2	
L853,L854,L855	CHOKE COIL	NCH-1477	231237K220R2	
T902	P TRANS	NPT-1520JQ	2301812	! <D/C>
	P TRANS	NPT-1519GQ	2301811	! <P/A>
U851	REMO SENS	NJL34H380A	241365	
X601	CERA LOCK	CSTLS6M00G-56-A0 or	3010427 or	
	CERA LOCK	CR06000-TG-A0R	3010433	
C601,C602,C603	C-CERA C	CK725F1H-104Z1	332151040R1	
C604,C605	C-CERA C	CC725CH1H-101J1	342101014R1	
C606,C607,C609	C-CERA C	CK725F1H-104Z1	332151040R1	
C610,C611,C612	C-CERA C	CK725F1H-104Z1	332151040R1	
C613,C614,C615	C-CERA C	CK725B1H-102K1	332101025R1	
C616,C617,C618	C-CERA C	CK725B1H-102K1	332101025R1	
C619,C620	C-CERA C	CK725B1H-102K1	332101025R1	
C621,C622	C-CERA C	CK725F1H-104Z1	332151040R1	
C623	VR C	CE04W50V-4.7M(VR)	394680477	
C701,C711,C719	C-CERA C	CK725F1H-104Z1	332151040R1	
C702,C703	VR C	CE04W16V-100M(VR)	394641017	
C704	EDL C	DX-5R5L224	3000079	
C706	VR C	CE04W50V-10M(VR)	394681007	
C708	C-CERA C	CK725B1A-474K1	332134745R1	
C709,C712	VR C	CE04W16V-100M(VR)	394641017	
C710	VR C	CE04W10V-470M(VR)	394634717	
C716	C-CERA C	CC725CH1H-101J1	342101014R1	
C717	VR C	CE04W50V-3.3M(VR)	394680337	
C718,C873	VR C	CE04W16V-100M(VR)	394641017	
C728,C729	C-CERA C	CK725F1H-104Z1	332151040R1	
C853,C854	C-CERA C	CK725F1H-223Z1	332152230R1	
C856,C876	C-CERA C	CK725F1H-104Z1	332151040R1	
C857,C866	ELECT C	CE04W16V-100M	355741019	
C858,C860	C-CERA C	CC725CH1H-101J1	342101014R1	
C861,C862,C863	C-CERA C	CC725CH1H-101J1	342101014R1	
C864,C867	C-CERA C	CK725F1H-223Z1	332152230R1	
C865	ELECT C	CE04W50V-33M	355783309	
C868,C869,C870	C-CERA C	CK725F1H-223Z1	332152230R1	
C871	C-CERA C	CC725CH1H-102J1	342101024R1	
C874,C875	TF C	ECQ-B50V-102J	374721024	

C902,C991	C-CERA C	CK725F1H-104Z1	332151040R1	
C903	VR C	CE04W35V-2200M(VR)	394662227	
C904	VR C	CE04W35V-100M(VR)	394661017	
C906	VR C	CE04W50V-4.7M(VR)	394680477	
C912	IS C	RE275V-103M	3500196	!
R601,R602	C-CARBON R	RN72K1J-221JE	435032214R1	
R608	C-CARBON R	RN72K1J-221JE	435032214R1	<P>
R609,R610,R614	C-CARBON R	RN72K1J-103JE	435031034R1	
R612,R615,R616	C-CARBON R	RN72K1J-473JE	435034734R1	
R613	C-CARBON R	RN72K1J-105JE	435031054R1	
R618,R619,R620	C-CARBON R	RN72K1J-221JE	435032214R1	
R621,R622,R624	C-CARBON R	RN72K1J-221JE	435032214R1	
R625,R638	C-CARBON R	RN72K1J-221JE	435032214R1	
R626,R633,R634	C-CARBON R	RN72K1J-470JE	435034704R1	
R629,R630,R631	C-CARBON R	RN72K1J-103JE	435031034R1	
R635,R636,R637	C-CARBON R	RN72K1J-470JE	435034704R1	
R639,R644,R645	C-CARBON R	RN72K1J-470JE	435034704R1	
R640,R641,R642	C-CARBON R	RN72K1J-000JE	435030004R1	
R643,R646,R650	C-CARBON R	RN72K1J-000JE	435030004R1	
R647,R648,R649	C-CARBON R	RN72K1J-103JE	435031034R1	
R651,R652,R653	C-CARBON R	RN72K1J-103JE	435031034R1	
R654,R655	C-CARBON R	RN72K1J-221JE	435032214R1	
R656,R657,R660	C-CARBON R	RN72K1J-000JE	435030004R1	
R658	C-CARBON R	RN72K1J-102JE	435031024R1	
R661,R662	C-CARBON R	RN72K1J-000JE	435030004R1	
R663,R679,R680	C-CARBON R	RN72K1J-470JE	435034704R1	
R664,R665,R666	C-CARBON R	RN72K1J-221JE	435032214R1	
R667,R696,R697	C-CARBON R	RN72K1J-473JE	435034734R1	
R669,R670,R671	C-CARBON R	RN72K1J-221JE	435032214R1	
R672,R673,R674	C-CARBON R	RN72K1J-103JE	435031034R1	
R675,R676,R677	C-CARBON R	RN72K1J-000JE	435030004R1	
R678	C-CARBON R	RN72K1J-224JE	435032244R1	
R681,R682,R683	C-CARBON R	RN72K1J-470JE	435034704R1	
R684,R685,R686	C-CARBON R	RN72K1J-472JE	435034724R1	
R687,R688,R690	C-CARBON R	RN72K1J-472JE	435034724R1	
R689,R691	C-CARBON R	RN72K1J-272JE	435032724R1	
R692,R694	C-CARBON R	RN72K1J-472JE	435034724R1	
R693,R695	C-CARBON R	RN72K1J-272JE	435032724R1	

R699	C-CARBON R	RN72K1J-221JE	435032214R1	<P>
R700,R714	C-CARBON R	RN72K1J-000JE	435030004R1	
R701	C-CARBON R	RN72K1J-102JE	435031024R1	
R704,R715,R717	C-CARBON R	RN72K1J-103JE	435031034R1	
R705	C-CARBON R	RN72K1J-222JE	435032224R1	
R709	C-CARBON R	RN72K1J-101JE	435031014R1	
R710	METAL O R	RS1/2WBJ-10	443521004	
R719	C-CARBON R	RN72K1J-333JE	435033334R1	<D/C/A>
	C-CARBON R	RN72K1J-563JE	435035634R1	<P>
R720	C-CARBON R	RN72K1J-472JE	435034724R1	<D/C>
	C-CARBON R	RN72K1J-333JE	435033334R1	<P>
	C-CARBON R	RN72K1J-563JE	435035634R1	<A>
R721,R722	C-CARBON R	RN72K1J-473JE	435034734R1	
R729	C-CARBON R	RN72K1J-105JE	435031054R1	
R733	METAL O R	RS1WBJ-10	443621004	
R734	METAL O R	RS1WBJ-560	443625614	<D/C>
	METAL O R	RS1WBJ-270	443622714	<P/A>
R735,R736,R737	C-CARBON R	RN72K1J-000JE	435030004R1	
R738,R739	C-CARBON R	RN72K1J-000JE	435030004R1	
R740,R741	C-CARBON R	RN72K1J-000JE	435030004R1	
R850	C-CARBON R	RN72K1J-103JE	435031034R1	
R851,R858	C-CARBON R	RN72K1J-821JE	435038214R1	
R852,R859	C-CARBON R	RN72K1J-122JE	435031224R1	
R853,R860,R867	C-CARBON R	RN72K1J-222JE	435032224R1	
R854,R861	C-CARBON R	RN72K1J-392JE	435033924R1	
R855	C-CARBON R	RN72K1J-331JE	435033314R1	
R856,R863	C-CARBON R	RN72K1J-471JE	435034714R1	
R857,R864	C-CARBON R	RN72K1J-561JE	435035614R1	
R862,R869,R876	C-CARBON R	RN72K1J-331JE	435033314R1	
R865,R872	C-CARBON R	RN72K1J-821JE	435038214R1	
R866,R873	C-CARBON R	RN72K1J-122JE	435031224R1	
R870,R877	C-CARBON R	RN72K1J-471JE	435034714R1	
R871,R878	C-CARBON R	RN72K1J-561JE	435035614R1	
R874,R891	C-CARBON R	RN72K1J-222JE	435032224R1	
R875,R892	C-CARBON R	RN72K1J-392JE	435033924R1	
R879,R880	C-CARBON R	RN72K1J-332JE	435033324R1	
R881,R882	C-CARBON R	RN72K1J-221JE	435032214R1	
R883	C-CARBON R	RN72K1J-273JE	435032734R1	

R884	C-CARBON R	RN72K1J-104JE	435031044R1	
R885,R886	C-CARBON R	RN72K1J-221JE	435032214R1	
R887	C-CARBON R	RN72K1J-101JE	435031014R1	
R888	C-CARBON R	RN72K1J-102JE	435031024R1	
R889	C-CARBON R	RN72K1J-123JE	435031234R1	
R909,R914	C-CARBON R	RN72K1J-104JE	435031044R1	
R913	C-CARBON R	RN72K1J-102JE	435031024R1	
R915	METAL O R	RS1/2WBJ-150	443521514	
RL902	RELAY	NRL-1P5A-DC9-179	25065669	
S851,S852,S853	PUSH SW	NPS-111-S681	25035718	
S856,S857,S858	PUSH SW	NPS-111-S681	25035718	
S859,S860,S861	PUSH SW	NPS-111-S681	25035718	
S862,S863,S864	PUSH SW	NPS-111-S681	25035718	
S865,S866,S867	PUSH SW	NPS-111-S681	25035718	
S868,S869	PUSH SW	NPS-111-S681	25035718	
S872,S873,S874	PUSH SW	NPS-111-S681	25035718	
S875,S876,S877	PUSH SW	NPS-111-S681	25035718	
S878,S879,S880	PUSH SW	NPS-111-S681	25035718	
S881,S882,S883	PUSH SW	NPS-111-S681	25035718	
P910	AC OUTLET	NSCT-4P913	25051126	! <D/C>
	SOCKET	NSCT-4P912	25051125	! <P>
	AC OUTLET	NSCT-2P2013	25052115	! <A>
F901A,F901B	FUSE HOL	NSCT-1P2031	25052133	! <D/C>
F902A,F902B	FUSE HOL	NSCT-1P2031	25052133	! <P/A>
F903A,F903B	FUSE HOL	NSCT-1P2031	25052133	!
P503	JACK	YKB26-5009	25045255	
P706	ST JACK	HSJ1002-01-1020	25045647	
P707	ST JACK	LGY2502-0200FC	25045696	
F901C	LABEL	5A/125V	29360462	<D/C>
F903C	LABEL	T2.5AL250V	29361747	<P/A>
JL703B	SOCKET	NSCT-3P95	25050267	
P701A	SOCKET	NSCT-19P2199	25052302	
P702A	SOCKET	NSCT-13P2193	25052296	
P704A	SOCKET	NSCT-13P2106	25052209	
P705	SOCKET	NSCT-9P2427	25052530	
P715A	SOCKET	NSCT-24P2117	25052220	
P715B	SOCKET	NSCT-24P1655	25051868	
JL703A	WIRE HOL	NSCT-3P894	25051107	

JL711A,JL716B	WIRE HOL	NSCT-3P894	25051107	
JL911A	WIRE HOL	NSCT-6P877	25051090	
JL911B	WIRE TRAP	NPLG-6P589	25055627	
P901A	PLUG	NPLG-2P631	25055675	!
P504	CRIMP AS	CRIMP AS	2061712200UL	
P911	CRIMP AS	CRIMP AS	2069943351UL	
P912	CRIMP AS	CRIMP AS	2069943459UL	
P991	RETAINER	MET37-0002	27142009	
Q855A	RETAINER	(PTH)	27141884-1	
P708	TRM(SCREW)	GND TERMINAL	25065425	
Q852A	HOLDER	(FL)	27191222B	
U02	Main circuit PCB AS		NAAF-8886-1M/1N	
U022	Transformer terminal PCB AS		NAPS-8887-1M/1N	
U023	Volume PCB AS		NAAF-8888-1M/1N	
U026	Clamper PCB AS		NAETC-8891-1M/1N	
Q301	IC	NJM4558D-X	222502	
Q302	IC	TC9273CNG-010	22242335	
D491	IC	NJM2068L-D	22240250	
Q481	IC	TA7291SG(5_J)	22240239	
Q921	IC	78M12HF or	222780125 or	
	IC	NJM78M12FA or	222780125JRC or	
	IC	MPC78M12HF	222780125NEC	
Q922	IC	79M12HF	222790125	
Q491,Q492	TR	RN1241-A(TPE4_F) or	2213631 or	
	TR	RN1241-B	2213632	
Q493	TR	KRA102M or	2215770 or	
	TR	DTA114ES	2213510	
Q501,Q502	TR	2SC2240-BL(TPE2_F)	2211406	
Q503,Q504	TR	2SC2240-BL(TPE2_F)	2211406	
Q505,Q506	TR	2SC2240-BL(TPE2_F) or	2211406 or	
	TR	2SC2240-GR	2211405	
Q507,Q508,Q509	TR	2SA949-Y(TPE6_F) or	2211354 or	
Q510,Q513,Q514	TR	2SA949-O(TPE6_F)	2211353	
Q515,Q516	TR	2SC2229-Y(TPE6_F) or	2211634 or	
	TR	2SC2229-O(TPE6_F)	2211633	
Q517,Q518	TR	2SC5171(ONK_Q)	2203010	
Q519,Q520	TR	2SA1930(ONK_Q)	2203000	
Q527,Q528	TR	2SC2229-Y(TPE6_F) or	2211634 or	

Q521,Q522	TR	2SC2229-O(TPE6_F)	2211633	
Q529,Q530	TR	2SC2458-GR or	2212115 or	
	TR	2SC2458-BL or	2212116 or	
	TR	KTC3199-GR	2215864	
Q531,Q532	TR	2SC1740S-S	2213285	
Q533,Q534	TR	2SC1740S-S	2213285	
Q581,Q582	TR	2SC2240-GR or	2211405 or	
	TR	2SC2240-BL(TPE2_F) or	2211406 or	
	TR	KTC3200-GR or	2215895 or	
	TR	KTC3200-BL	2215896	
Q583	TR	2SA970-GR or	2211395 or	
	TR	2SA970-BL(TPE2_F) or	2211396 or	
	TR	KTA1268-GR or	2215885 or	
	TR	KTA1268-BL	2215886	
Q591,Q592	TR	DTC123JS or	2213640 or	
	TR	KRC105M	2215830	
Q924	TR	2SA965-Y(TPE6_F)	2211644	
D491	DIODE	1SS133 or	223163 or	
D511,D512	DIODE	1SS133(DS)	223280	
D571	ZENER D	MTZJ5.1B or	224470512 or	
	ZENER D	DZ-5.1BSB	224850512	
D591,D592	DIODE	1SS133 or	223163 or	
	DIODE	1SS133(DS)	223280	
D918	DIODE	D3SBA20 or	22380271 or	
	DIODE	RBV402	22380022	
D920,D921	DIODE	RL1N4003 or	22380260 or	
D924	DIODE	GP104003E	22380035	
D922	ZENER D	MTZJ33D	224473304	
D952,D953	DIODE	1SS133 or	223163 or	
D983,D984	DIODE	1SS133(DS)	223280	
D954	ZENER D	MTZJ4.7B	224470472	
L501,L502	S COIL	S-1.3C	231176S	
C301,C302	TF C	ECQ-B50V 471K	374724715	
C303,C304	VX C	CE04W25V-47M(VX)	393354707	
C305,C306	TF C	ECQ-B50V-152J	374721524	
C307,C308	VX C	CE04W10V-100M(VX)	393331017	
C309,C310	TF C	ECQ-B50V-682J	374726824	
C311,C312	TF C	ECQ-B50V-182J	374721824	

C313,C314	VX C	CE04W50V-10M(VX)	393381007	
C315,C316	VR C	CE04W16V-220M(VR)	394642217	
C317,C318	TF C	ECQ-B50V-101K	374721015	<P/A>
C321,C322,C325	TF C	ECQ-B50V-101K	374721015	<P/A>
C326,C327,C328	TF C	ECQ-B50V-101K	374721015	<P/A>
C329,C330	TF C	ECQ-B50V-101K	374721015	<P/A>
C341,C342	CERA C	CK45F50V-223Z	335622230	
C343,C345	CERA C	CK45F50V-223Z	335622230	
C353,C354	VR C	CE04W50V-22M(VR)	394682207	
C391,C392	TF C	ECQ-B50V-101K	374721015	
C401,C402,C403	VX C	CE04W25V-47M(VX)	393354707	
C404,C407,C408	VX C	CE04W25V-47M(VX)	393354707	
C405,C406	TF C	ECQ-B50V-101K	374721015	
C409,C410	TF C	ECQ-B50V-101K	374721015	<P/A>
C411,C412	VX C	CE04W25V-47M(VX)	393354707	
C415,C416	VR C	CE04W16V-220M(VR)	394642217	
C421,C422	TF C	ECQ-B50V-223J	374722234	
C423,C424	CERA C	CK45F50V-223Z	335622230	
C433,C434	TF C	ECQ-B50V-103J	374721034	
C441	VR C	CE04W16V-100M(VR)	394641017	
C442	VR C	CE04W50V-1M(VR)	394680107	
C501,C502	VX C	CE04W50V-47M(VX)	393384707	
C503,C504	TF C	ECQ-B50V-101K	374721015	
C505,C506	VX C	CE04W25V-220M(VX)	393352217	
C509,C510	VX C	CE04W50V-10M(VX)	393381007	
C513,C514	VX C	CE04W25V-47M(VX)	393354707	
C515,C516	TF C	ECQ-B50V-101K	374721015	
C517,C518	TF C	ECQ-V50V-473J	374724734	
C519,C520	TF C	ECQ-V50V-104J	374721044	
C521,C522	VX C	CE04W50V-10M(VX)	393381007	
C523,C524	CERA C	CC45SL50V-020C	345020201	
C527,C528	VR C	CE04W63V-47M(VR)	394674707	
C531,C532,C533	TF C	ECQ-B50V-102J	374721024	
C534,C535,C536	TF C	ECQ-B50V-102J	374721024	
C581	VR C	CE04W16V-100M(VR)	394641017	
C582	CERA C	CK45F50V-223Z	335622230	
C583	VR C	CE04W50V-1M(VR)	394680107	
C591,C592	TF C	ECQ-B50V-103J	374721034	

C648	CERA C	CK45F50V-223Z	335622230	
C911,C912	TF C	ECQ-V50V-334J	374723344	
C915,C916	ELECT C	CE69W56V-8200MB	3504416	
C918	VR C	CE04W35V-1000M(VR)	394661027S	
C919	VR C	CE04W35V-330M(VR)	394663317	
C920	CERA C	CK45F50V-223Z	335622230	
C921,C930,C931	CERA C	CK45F50V-223Z	335622230	
C922	VR C	CE04W50V-33M(VR)	394683307	
C923,C941	VX C	CE04W50V-10M(VX)	393381007	
C924,C925	TF C	ECQ-V50V-334J	374723344	
C926,C928	VR C	CE04W50V-100M(VR)	394681017	
C953	VR C	CE04W50V-4.7M(VR)	394680477	
C971	CERA C	CK45F50V-223Z	335622230	
C982	TF C	ECQ-B50V-222J	374722224	
C991,C992	TF C	ECQ-V50V-104J	374721044	
R301,R302	CARBON R	R16J-1K	417341024	
R303,R304	CARBON R	R16J-56K	417345634	
R305,R306	CARBON R	R16J-220K	417342244	
R307,R308	CARBON R	R16J-820	417348214	
R309,R310	CARBON R	R16J-470K	417344744	
R311,R312	CARBON R	R16J-39K	417343934	
R313,R314	CARBON R	R16J-100K	417341044	
R315,R316	CARBON R	R16J-330	417343314	
R317,R318	CARBON R	R16J-1M	417341054	
R319,R320	CARBON R	R16J-2.2K	417342224	
R321,R322	CARBON R	R16J-1M	417341054	
R323,R324	CARBON R	R16J-330	417343314	
R325,R326	CARBON R	R16J-1M	417341054	
R327,R328	CARBON R	R16J-2.2K	417342224	
R329,R330	CARBON R	R16J-1M	417341054	
R331,R332	CARBON R	R16J-330	417343314	
R333,R334	CARBON R	R16J-1M	417341054	
R335,R336	CARBON R	R16J-330	417343314	
R337,R338	CARBON R	R16J-1M	417341054	
R339,R340	CARBON R	R16J-330	417343314	
R341,R342	CARBON R	R16J-1M	417341054	
R349,R350	CARBON R	R16J-22K	417342234	
R351,R352,R353	NF CARBON R	R25J-10	415471004	

R354,R441,R442	NF CARBON R	R25J-10	415471004	
R391,R392	CARBON R	R16J-1K	417341024	
R393	VARI R	N11RLC250KWT20Z	5104288	
R401,R402	CARBON R	R16J-1K	417341024	
R403,R404,R435	CARBON R	R16J-220K	417342244	
R405,R406	CARBON R	R16J-22K	417342234	
R407,R408	CARBON R	R16J-3.3K	417343324	
R409,R415	VARI R	N14RLC100KWT20Z	5104356	
R411,R412	CARBON R	R16J-1.2K	417341224	
R413,R414	CARBON R	R16J-100K	417341044	
R417,R418	CARBON R	R16J-1K	417341024	
R419,R420	CARBON R	R16J-3.3K	417343324	
R436	CARBON R	R16J-2.2K	417342224	
R491,R492	CARBON R	R16J-47K	417344734	
R501,R502	CARBON R	R16J-470	417344714	
R503,R504	CARBON R	R16J-27K	417342734	
R505,R506	CARBON R	R16J-10	417341004	
R507,R508	CARBON R	R16J-47	417344704	
R509,R510	CARBON R	R16J-47	417344704	
R511,R512	CARBON R	R16J-5.6K	417345624	
R513,R514	CARBON R	R16J-56K	417345634	
R515,R516	CARBON R	R16J-1.5K	417341524	
R517,R518	CARBON R	R16J-1K	417341024	
R519,R520	CARBON R	R16J-1K	417341024	
R521,R522,R523	METAL O R	RS1/2WBJ-82	443528204	
R524,R527,R528	METAL O R	RS1/2WBJ-82	443528204	
R525,R526	METAL O R	RS1/2WBJ-68	443526804	
R529,R530	METAL O R	RS1/2WBJ-56	443525604	
R531,R532	CARBON R	R16J-18K	417341834	
R533,R534	CARBON R	R16J-56K	417345634	
R535,R536	CARBON R	R16J-18K	417341834	
R539,R540,R541	METAL R	RNU1/2WCJ-2.2	453530224	
R542,R593,R594	METAL R	RNU1/2WCJ-2.2	453530224	
R543,R544	METAL O R	RS1/2WBJ-220	443522214	
R545,R546,R572	CARBON R	R16J-22K	417342234	
R547,R548	METAL PR	RGC55 0.22 or	4000132 or	
	METAL PR	MPR5W+5W OR22	4000233	
R549,R550	CARBON R	R16J-3.3K	417343324	

R551,R552,R571	CARBON R	R16J-33K	417343334	
R553,R554,R574	CARBON R	R16J-47K	417344734	
R555,R556	METAL R	RNU1/2WCJ-8.2	453530824	
R561,R562	CARBON R	R16J-270	417342714	
R563,R564	CARBON R	R16J-100K	417341044	
R565,R566	CARBON R	R16J-120K	417341244	
R567,R568	CARBON R	R16J-22	417342204	
R569,R570	CARBON R	R16J-22	417342204	
R573	CARBON R	R16J-10K	417341034	
R575	CARBON R	R16J-220K	417342244	
R577,R578	CARBON R	R16J-120K	417341244	
R579,R580	CARBON R	R16J-100	417341014	
R581,R582	CARBON R	R16J-5.6K	417345624	
R583,R584	CARBON R	R16J-3.9K	417343924	
R585,R586	CARBON R	R16J-820	417348214	
R587,R588	TRIM R	N06HR2KBC	5210390	
R589,R590	CARBON R	R16J-3.3K	417343324	
R591,R592	NF CARBON R	R25J-2.2	415470224	
R595	METAL O R	RS1/2WBJ-10	443521004	
R598,R599	METAL O R	RS1WBJ-390	443623914	
R641	VARI R	N16RGL100KBT25F	5104334	
R643,R644	CARBON R	R16J-8.2K	417348224	
R919	METAL R	RNU1/2WCJ-1	453530104	
R921,R922	METAL R	RNU1/2WCJ-0.47	453534794	
R923	METAL R	RNU1/2WCJ-5.6	453530564	
R924	METAL O R	RS1/2WBJ-560	443525614	
R931	NF CARBON R	R25J-3.3K	415473324	
R932	CARBON R	R16J-330K	417343344	
R933	METAL O R	RS1/2WBJ-22	443522204	
R934	METAL O R	RS1/2WBJ-100	443521014	
R951,R952	METAL R	RNU1/2WCJ-2.2	453530224	
R953	CARBON R	R16J-100K	417341044	
RL591,RL592	RELAY	NRL-2P5A-DC24-158 or	25065618 or	
	RELAY	NRL-2P5A-DC24-129	25065563	
E591,E592	RETAINER	MET37-0002	27142009	
P301,P302	PIN JACK	NPJ-6PDWWR561 or	25045779 or	
	PIN JACK	NPJ-6PDBL159	25045300	
P303	PIN JACK	NPJ-4PDWWR624 or	25045845 or	

P500	PIN JACK	NPJ-4PDBL162	25045303	
P501	TRM	NTM-8PDMC396	25060467	
P704B,P705B	TRM(SCREW)	GND TERMINAL	25065425	
JL711B,JL716B	SOCKET	NSCT-3P95	25050267	
JL613A	WIRE HOL	NSCT-10P881	25051094	
JL913A,JL913B	WIRE HOL	NSCT-5P896	25051109	
P511,P512	PLUG	NPLG-2P29	25055038	
P701B	PLUG	NPLG-19P0974	25056024	
P702B	PLUG	NPLG-13P0968	25056018	
JL613B	WIRE TRAP	NPLG-10P593	25055631	
P914A	CRIMP AS	CRIMP AS	2069925402UL	
P915A	CRIMP AS	CRIMP AS	2069925450UL	
P916A	CRIMP AS	CRIMP AS	2069925459UL	
Q921A	HEAT SINK	RAD-183	27160526	
Q921C,Q922C	SCREW	3TTB+10S(3BC)	838430107GR	

PACKING VIEW-PARTS LIST

REF. NO.	PART NAME	DESCRIPTION	PART NO.	REMARKS
A601	CARTON		29054516A	<D>
	CARTON		29054517A	 <P>
	CARTON		29054518A	<S> <P>
	CARTON		29054525A	<A>
	CARTON		29054539A	<C>
A602	POLY BAG	POLY BAG(850*650)	29100034-1A	
A603	WRNTY CARD		29365102A	<D/C>
A604	TAPE	Cellophane	29110149	
A605	PP TAPE	W48 OPP TAPE	29110148	
A606	EAN LABEL		29364452	 <P/A>
	EAN LABEL		29364453	<S>
	UPC LABEL		29364449	<D/C>
A609	PAD	(AS)	29092318A	
A610	HANDBILL	(DS-A1)	29380140	<D/C>
	HANDBILL	(DS-A1)EU	29380141	<P>
A611	POLY BAG	350*250	29100097-1A	
A612	POLY BAG for AC CORD	350*250	29100097-1A	<P/A/C>
A802	BATTERY	R6/AA(UM-3)	3010054	
A803	ANT COIL	NMA-3057	232140	AM ANT.
A804	FM ANT AS	Type W	292191	
A820	INS MANUAL	En	29344234	

A821	INS MANUAL	U2FrEs	29344235	<P/C>
A822	INS MANUAL	U2ItDe	29344236	<P>
A823	INS MANUAL	U2NISv	29344237	<P>
A835	INST SHEET	WEEE	29355537	<P>
A836	REMO CON	RC-666S	24140666	<D/C>
P501A	TRM	(WRENCH)	25060468	
P501C	INST SHEET	ERRATA(SP)	29355562	

ONKYO CORPORATION

Sales & Product Planning Div. : 2-1, Nisshin-cho, Neyagawa-shi, OSAKA 572-8540, JAPAN
Tel: 072-831-8023 Fax: 072-831-8124

ONKYO U.S.A. CORPORATION

18 Park Way, Upper Saddle River, N.J. 07458, U.S.A.
Tel: 201-785-2600 Fax: 201-785-2650 <http://www.onkyousa.com>

ONKYO EUROPE ELECTRONICS GmbH

Liegnitzerstrasse 6, 82194 Groebenzell, GERMANY
Tel: +49-8142-4401-0 Fax: +49-8142-4401-555 <http://www.onkyo.net>

ONKYO EUROPE UK Office

Suite 1, Gregories Court, Gregories Road, Beaconsfield, Buckinghamshire, HP9 1HQ
UNITED KINGDOM Tel: +44-(0)1494-681515 Fax: +44(0)-1494-680452

ONKYO CHINA LIMITED

Units 2102-2107, Metroplaza Tower I, 223 Hing Fong Road, Kwai Chung,
N.T., HONG KONG Tel: 852-2429-3118 Fax: 852-2428-9039